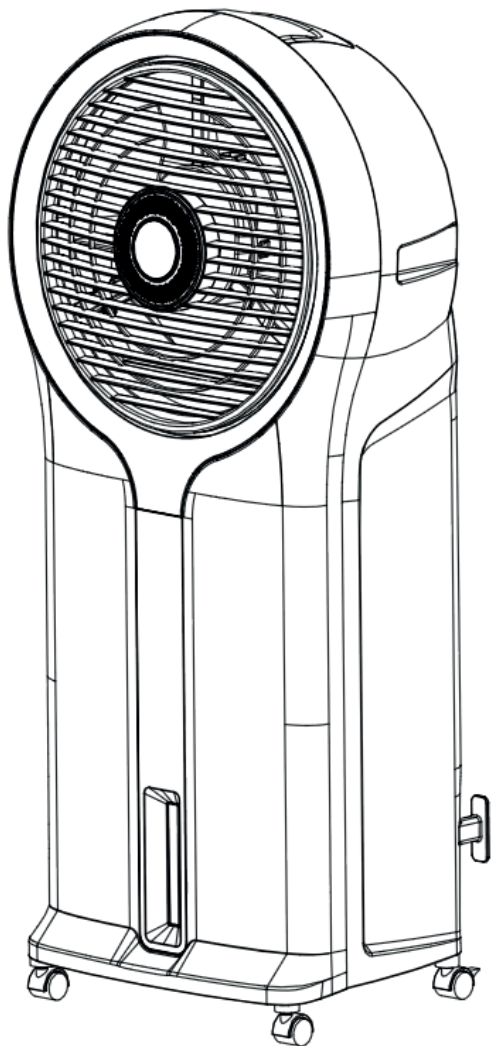




MCONFORT E800 PLUS



User's manual - Manual de Usuario
Manuel de l'utilisateur - Manual de usuário

INDEX - ÍNDICE - INDICE - ÍNDICE

1. ENGLISH - USER MANUAL.	01
2. ESPAÑOL - MANUAL DE USUARIO.	16
3. FRANÇAIS - MANUEL DE L'UTILISATEUR.	31
4. PORTUGUÊS - MANUAL DE USUÁRIO	46



Dear Customer:

We want to thank the trust placed in us and welcome you to the comfort and convenience that your MCONFORT device will shortly provide. We remain at your disposal to answer any questions about the characteristics and operation of your equipment. We hope you enjoy the benefits of your MCONFORT device. We are a quality brand that takes care of details and seeks the highest customer's satisfaction.

Yours sincerely:

MCONFORT team

USER MANUAL - INDEX

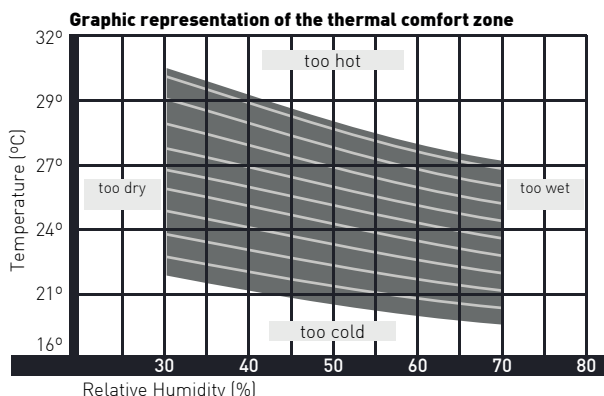
1. Introduction to evaporative cooling	02
2. General recomendations	05
3. Main components	06
4. Technical specifications	07
5. Safety warnings	08
6. Use instructions	10
7. Cleaning and manteinance	12
8. Troubleshooting	13
9. Technical service	14
10. Enviromental protection	14
11. Warranty	15

1. INTRODUCTION TO EVAPORATIVE COOLING

The main target of evaporative air conditioners is to increase the comfort level of any space in a natural and efficient way. In order to get the most out of this type of equipment, you should read this introduction to evaporative cooling.

1.1 THERMAL COMFORT ZONE

Our level of comfort is directly related to the ambient temperature and humidity. In general, we can say that people perceive a sensation of thermal comfort when the environmental conditions are within what we call "thermal comfort zone". This zone corresponds to the temperature range between 18° and 30°C and a relative humidity of between 30 and 70% approximately.



In addition to influencing comfort, humidity and temperature are even capable of influencing factors such as our productivity and our level of attention, so thermal comfort is an element to be taken into account not only in our homes, but in our workspace.

1.2 VENTILATE AND REFRESH. WHY?

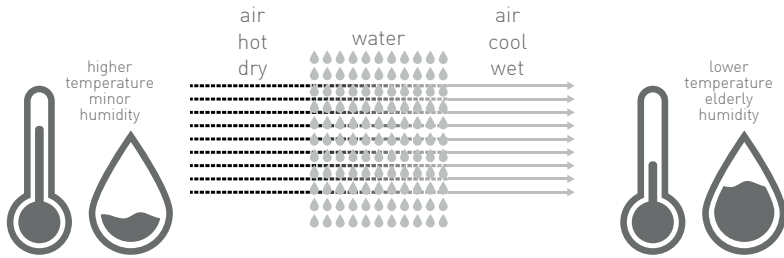
In the hottest months of the year, what usually happens is that we need to lower the air temperature to reach our thermal comfort zone and to achieve this, a very efficient solution is the use of an EVAPORATIVE AIR CONDITIONER, which performs two fundamental tasks: **ventilate and refresh**.

Ventilate: the thermal sensation of the air that surrounds us depends on its speed. That is, a current of air gives us a lower sensation of temperature than calm air.

Sensation of perceived temperature as a function of air speed.								
air speed m/s	Air temperature (°C)							
	25	26	27	28	29	30	31	32
	Equivalent temperature (°C)							
8	22.1	23.5	24.7	26.5	27.8	29.2	29.8	32.2
9	22.1	23.5	24.7	26.5	27.8	29.2	29.8	32.1
10	22.0	23.3	24.5	26.2	27.4	29.0	29.6	31.0
11	22.0	23.2	24.5	26.2	27.4	29.0	29.6	31.0
12	21.9	23.1	24.3	26.0	27.2	28.8	29.4	30.6

That is why on many occasions a simple fan is capable of relieving us from the sensation of heat. But, what if in addition to moving the air, we managed to cool it? This is exactly what an evaporative cooler does! Ventilate and cool the air through evaporative cooling.

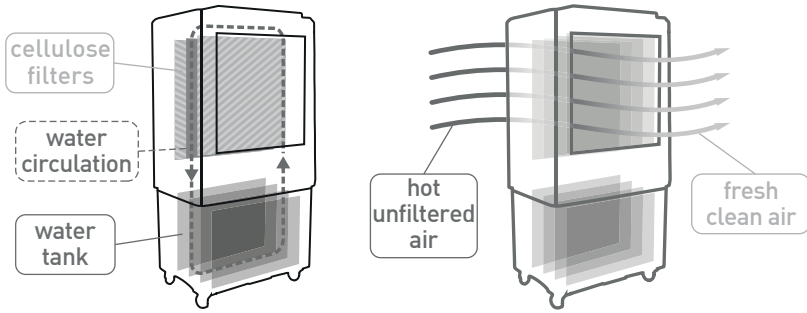
1.3 EVAPORATIVE COOLING.



Evaporative air conditioners use the natural principle of water evaporation to produce fresh air: dry air naturally decreases its temperature if we increase its humidity. This phenomenon is the same that occurs, for example, on the shores of the sea or a river, where the wind that comes into contact with the water becomes a breeze capable of refreshing us.

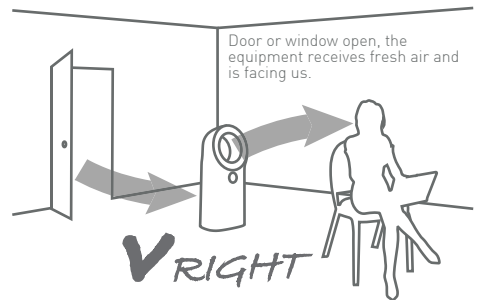
This principle is very interesting because it is not necessary to spend energy to humidify the air, but rather it is something that we can achieve naturally, and this makes the energy consumption of an evaporative cooler equivalent to that of a fan.

Evaporative coolers work by passing a flow of air through cooling filters, which are soaked with water and the air captures moisture and reduces its temperature as it passes through them. They convert hot, dry air into cooler, more humid air. In addition, the fact that they filter the air serves to purify the environment and improve air quality.



The cooling capacity of this equipment will always depend on the ambient temperature and humidity conditions. If the temperature is high and the humidity is low, we will obtain a greater cooling capacity. If the temperature is not very high or there is a lot of humidity, the performance will be lower. In any case, using the air conditioner correctly will serve to reach the thermal comfort zone in the vast majority of cases.

We must always use the air conditioners in ventilated spaces, so that the equipment can be constantly fed with new air. We must also direct the air flow towards where we are located to take advantage of the refreshing effect produced by fresh air on one hand, and moving air on the other.



We should not use this equipment in closed rooms, since we will obtain the opposite effect: the air will be saturated with humidity and the sensation of heat and overwhelm will increase.



2. GENERAL RECOMENDATIONS

Evaporative coolers work by passing a flow of air through cooling filters, which are saturated with water, so that by increasing their relative humidity they lower air's temperature. They convert hot, dry air into cool, humid air. In addition, the fact that they filter the air serves to purify the atmosphere and improve air quality.

To achieve maximum cooling and air quality, consider the following recommendations:



1. Use the equipment in well-ventilated places. If used in a confined or poorly ventilated space, the performance of the equipment may be greatly reduced and it will be very difficult to lower the air temperature.



2. Try to place the equipment with your back to an open door or window, so that as much new air as possible entering the room passes through our equipment. This will increase the performance of the equipment and improve the quality of the air we breathe.



3. Keep equipment filters clean. The cleaner they are, the more cooling and air filtering power our equipment will have.



4. Change the water in the tank as soon as you detect that it contains dirt. Part of the airborne particles passing through the filters can end up in the water tank. Using equipment with dirty water decreases performance, worsens air quality and can create operational problems.



5. Before storing the equipment, make sure the filters and the reservoir are clean and dry.

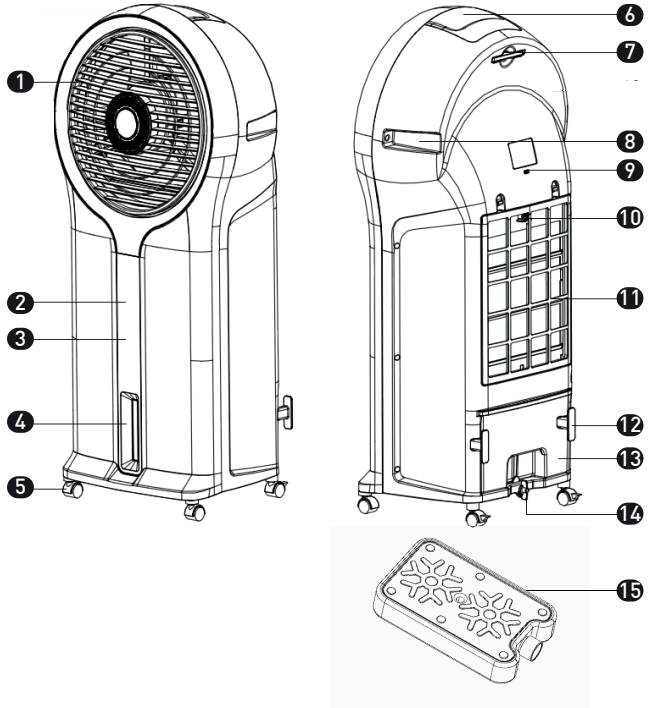


6. Do not put any liquid into the reservoir other than water. Mixing chemicals with water can endanger the health of people, animals and plants, as well as damage the cooling filters.

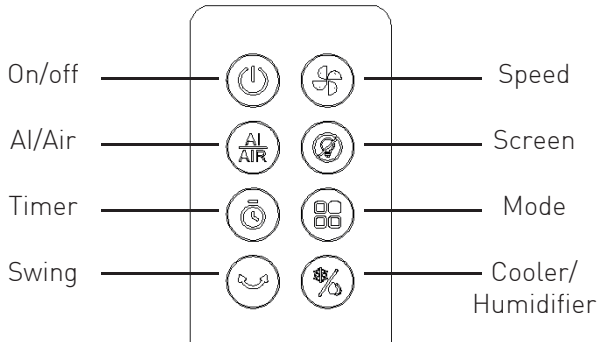
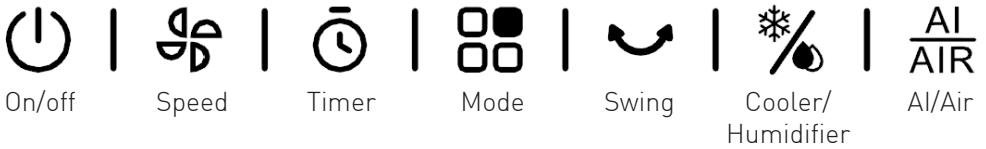
3. MAIN COMPONENTS

Device main components:

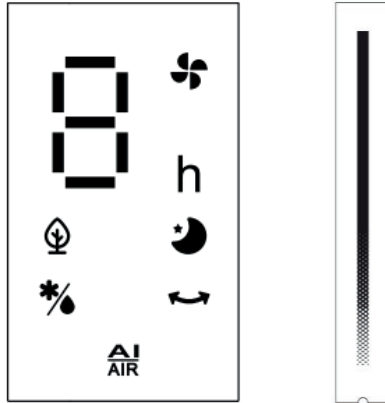
- 1. ROTOR
- 2. DISPLAY
- 3. REMOTE CONTROL RECEIVER
- 4. WATER LEVEL
- 5. CASTORS
- 6. CONTROL PANEL
- 7. REMOTE CONTROL REPOSITORY
- 8. HANDLE
- 9. AIR DETECTION INLET
- 10. LATCH
- 11. PRE FILTER
- 12. POWER CORD BRACKET
- 13. WATER TANK
- 14. WATER TANK KNOB
- 15. ICE BOX



Control panel and remote:



Led display and air quality indicator:



4. TECHNICAL SPECIFICATIONS

POWER	110 W
MAX AIR FLOW	800 m ³ /h
COVERAGE AREA	12 m ²
SPEEDS	3
WATER TANK	5,5 L
DIMENSIONS	29/41/89 cm
WEIGHT	7.3 Kg
RATED VOLTAGE	220-240 V
FREQUENCY	50 Hz

5. SAFETY WARNINGS

1. Please read user's manual carefully before use.
2. Connect this product only to 220-240 V, 50 Hz power supply.
3. Stop operating this air cooler immediately if it works abnormally and contact technical service center. User must not unassemble or repair the machine.
4. If the power cord is damaged, it must be replaced only by the manufacturer or technical service center.
5. The power cord shall not be scratched, damaged, over bent, pulled, twisted, or pressed with heavy objects, otherwise it may cause electric shock, short circuit and fire.
6. This machine must not be placed in a place accessible to children. Children must not use the machine. Children shall not play with the appliance.
7. Please do not insert your hand or any object into air outlet, or filters.
8. The machine should not be placed in uneven surfaces, do not leave screws or other miscellaneous items in the fan. There should be no curtains or anything like that behind the fan.
9. Do not cover this appliance when its working.
10. Please place the machine on a horizontal surface for use, so as not to fall down and damage the internal components.
11. This appliance is for indoor or protected outdoor use only. Protect the equipment from wet floors, splashes of water, rain, and direct exposure to sunlight.
12. Do not use the machine around the bathroom, swimming pool or wet places. This product should not be immersed in water under any circumstances.
13. When the machine is running, it is forbidden to block the air outlet and the air inlet through the filter part.
14. Do not permit the area around the humidifier to become damp or wet. If dampness occurs, turn the output of the humidifier down. If the humidifier output volume cannot be turned down, use the humidifier intermittently. Do not allow absorbent materials, such as carpeting, curtains, drapes, or tablecloths, to become damp.

The water level in the tank must always be between the MIN and MAX marks.

Do not tip or overturn the equipment. If this happens with water inside, immediately disconnect it from the electrical network. Do not plug it back in until it is completely dry.

Please keep the device filters and water tank clean.

Unplug the appliance during filling and cleaning.

In order to prolong the product life, please do not use it in extremely hot, damp or places with oil and dust, and do not use it beside the fire or inflammable articles, so as to avoid fire.

Never leave water in the tank when the machine is not in use.

Empty, clean and dry the machine before storage.

Be aware that high humidity levels may encourage the growth of biological organisms in the environment.

Do not ingest battery, Chemical Burn Hazard. If the coin / button cell battery is swallowed, it can cause severe internal burns in just 2 hours and can lead to death.

If the battery compartment does not close securely, stop using the product and keep it away from children.

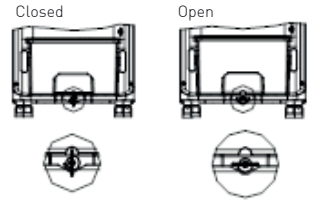
Keep new and used batteries away from children.

The remote controller should be used properly. Avoid shocks or water immersion. Pay attention to the polarity when installing the battery.

The batteries contain materials which are hazardous to the environment; they must be removed from the appliance before it is scrapped and be disposed of safely.

6. USE INSTRUCTIONS

1. Filling with water: Open the water tank and pour in clean water until the water level reaches the maximum on the indicator. **Warning: Do not exceed the maximum of the water indicator.**



2. Connect the equipment to the network and it will enter STANDBY mode.

3. Press **ON/OFF** to turn on the equipment once plugged in, or put it in STANDBY mode if it is working.

4. Press **SPEED** to select the wind speed (1,2 or 3). Press SPEED for 3 sec. to start the FILTER DRYING MODE (the equipment starts working at speed 3 for 20 minutes). In this mode, the rest of the functions will be disabled except for ON/OFF. Press SPEED for 3 sec. again to abort the FILTER DRYING MODE (the equipment will work for 20 more seconds at speed 3 and it will go into STANDBY mode).

5. Press the **COOLER/HUMIDIFIER** button to start/stop evaporative cooling. By activating the cooler function, the equipment will not be able to work at speed three for the next 3 minutes. If the equipment is at speed 3, it will go down to speed 2. After 3 minutes, any speed can be selected again.

6. Press **TIMER** to program automatic shutdown from 1 to 9 h. Once programmed, the equipment will alternately show the remaining operating time and the selected speed on the display.

7. Press the **SWING** button to activate the horizontal swing of the air.

8. Press **MODE** to select the wind mode:

- Normal: the equipment works at the selected speed.
- Sleep: the equipment reduces a speed every 30 minutes.
- Natural: the equipment works at the selected speed imitating natural air currents.

9. Press **AI/AIR** to turn on/off the air quality detection function. Once we press **AI/AIR**, the equipment takes about 60 sec. in preheating the air quality sensor

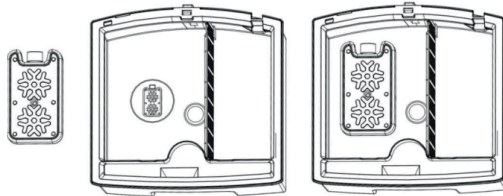
(the indicator will alternate green, yellow and red colors in this process). Once in operation, the indicator will illuminate green for clean air, yellow for medium air quality, and red for poor air quality.

10. Press **SCREEN** (only available on the remote control) while the equipment is running to turn off all the indicators on the display. With the display off, press SCREEN or any other button to turn the display on. With the display on, press any key to operate the equipment. If the equipment is not operated for more than 30 sec. the display light will dim until we touch a button again.

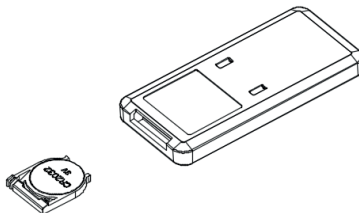
11. **LACK OF WATER:** if the equipment is working with the COOLER on and it detects a lack of water, it will automatically deactivate the COOLER to protect the water pump.

12. **Long-term use protection:** the equipment is programmed to stop automatically after 15 hours of uninterrupted operation. You can deactivate/reactivate this function by pressing SWING for 3 seconds (the equipment will emit a confirmation beep).

13. **ICE BOX:** for extra cooling, insert the frozen ICE BOX into the water tank on the indicated side of the water tank.



14. **Remote control:** You must install the battery (type 3V CR2032) in the remote before you can use it as shown in the figure.



7. LIMPIEZA Y MANTENIMIENTO

ALWAYS unplug power cord before maintenance.

EQUIPMENT CLEANING:

Clean the surface of the appliance with a soft, damp cloth. Do not allow water to fall inside the machine.

Please note that the surface should not be polished with sandpaper, waxed, cleaned with gasoline, acid, alkali, benzene and other organic solvents to avoid discoloration and deterioration.

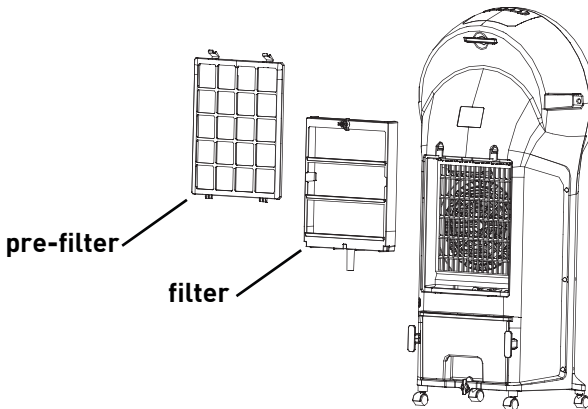
CLEANING THE WATER TANK:

Open the tank and empty the water. Clean it with a soft brush or sponge and detergent. **Caution: Be sure to frequently clean and disinfect the reservoir to prevent the possible build-up of bacteria or viruses in the water tank.**

CLEANING THE FILTER AND PRE-FILTER:

Remove the pre filter and then remove the cooling filter.

Clean them with water and a soft brush to remove dirt. If necessary you can also use a mild detergent to clean them.



8. TROUBLESHOOTING

PROBLEM	POSSIBLE CAUSE	SOLUTIONS
Device does not work.	There is no electrical current.	Check that the power cord is plugged in. Check the power supply. Press ON/OFF.
There is no air flow.	Damaged engine. Blockage in the grid or filters.	Contact Technical Service. Clean equipment.
Device isn't cooling.	Low water level. Damaged water pump. The filter is dirty. There is too much humidity in the environment.	Fill the water tank. Contact Technical Service. Clean equipment. You can use the computer as a fan.
Bad smell.	The water or the filter is dirty.	Change water or clean equipment.
Increasing hot sensation in the room.	There is no air renewal and the relative humidity is getting too high.	Make sure that the room is well ventilated and the equipment can constantly receive fresh air.

9. TECHNICAL SERVICE

In MCONFORT we will be happy to solve any incident that may occur in your device, as well as to solve all the doubts that may arise regarding it.

Please contact us through the following channels:

e-mail **sat@mconfort.com**
telephone **+34 961 536 720**

10. ENVIROMENTAL PROTECTION

Thanks to environmentally friendly disposal, valuable materials can be reused.

1. Unplug the network connection cable from the socket.
2. Cut the network connection cable.
3. Dispose of the device in accordance with environmental regulations.



This appliance is marked with the symbol of compliance with the European Directive 2012/19 /EU on used electrical and electronic equipment (Waste electrical and electronic equipment WEEE). The directive provides the general framework valid throughout the European Union for the removal and reuse of waste electrical and electronic equipment.

11. PRODUCT WARRANTY

Warranty period:

1. The guarantee applies to the product lines of Evaporative Coolers, Humidifiers, Heaters, Heating Mats supplied under the MCONFORT brand.
2. The warranty period is 2 years, counted from the date of sale.
3. MCONFORT will provide technical assistance at your convenience at the customer's home, will pick up the equipment to repair it at its facilities or will indicate to the customer the closest TAS where to deliver the equipment for repair.

Requirements for the validity of the guarantee:

1. This guarantee applies only in the Spanish national territory.
2. The equipment must have been used in accordance with the instructions detailed in the user manual.
3. Only the MCONFORT authorized technical service can cover the guarantee.
4. The document that validates the guarantee and that in turn indicates the beginning of it will be the PURCHASE INVOICE.

Warranty coverage:

1. This guarantee does not affect the rights available to the user in accordance with the provisions of RDL 1/2007.
2. In accordance with title V of RDL 1/2007, the user shall have the right to demand the repair and/or replacement of the product from the seller, and/or the producer in the cases determined by law.
3. During the time that the equipment repair lasts, no amount will be paid for damages for the time the equipment has been out of service.
4. We are not responsible for any damage that the equipment may cause to external elements.

Warranty Exclusions:

1. Failure to comply with any of the aforementioned requirements.
2. When the use that has been given to the equipment was not exclusively domestic.
3. The guarantee does not cover accessories or complements added to the equipment.
4. Demonstrations or start-up of equipment.
5. If the failure is caused by fire, flood, meteorological agents, shock or application of inadequate electrical supply.
6. Damage due to mistreatment, including transport damage, which must be claimed from the transport company. It is advisable to inspect the packages received in the presence of the transport company's personnel, before signing the delivery note in accordance with receipt.
7. Breakdowns caused by physical breakage in casings or plastics.
8. The use of non-original MCONFORT spare parts.
9. Breakdowns caused by misuse.
10. Equipment that does not have the manufacturing serial number, or that has been altered or erased.
11. When the equipment has been manipulated or repaired by personnel outside or not authorized by MCONFORT.
12. Equipment maintenance and cleaning work
13. Breakdowns caused by wear or normal use of the equipment, such as blockage of filters or drains.



Estimado Cliente:

Queremos agradecerle la confianza depositada en nosotros y darle la bienvenida a la comodidad y confort que en breve le brindará su equipo MCONFORT. Quedamos a su disposición para resolver cualquier duda o pregunta sobre las características y funcionamiento de su equipo. Esperamos que disfrute de los beneficios de su equipo MCONFORT, una marca de calidad que cuida los detalles y busca la mayor satisfacción para sus clientes.

Le saluda atentamente:

el equipo MCONFORT

MANUAL DE USUARIO - ÍNDICE

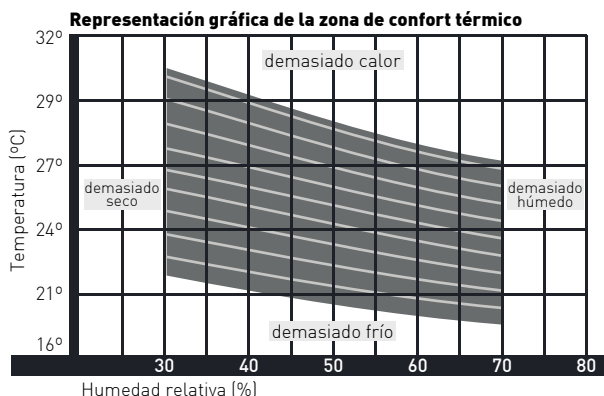
1. Introducción al enfriamiento evaporativo	17
2. Recomendaciones generales	20
3. Componentes principales	21
4. Especificaciones técnicas	22
5. Precauciones	23
6. Instrucciones de uso	25
7. Limpieza y mantenimiento	27
8. Resolución de problemas	28
9. Servicio técnico	29
10. Protección del medio ambiente	29
11. Garantía	30

1. INTRODUCCIÓN AL ENFRIAMIENTO EVAPORATIVO

El principal objetivo de los climatizadores evaporativos es aumentar el nivel de confort de cualquier espacio de forma natural y eficiente. Para poder sacar el máximo rendimiento de este tipo de equipos, conviene leer esta introducción al enfriamiento evaporativo.

1.1 ZONA DE CONFORT TÉRMICO

Nuestro nivel de confort está directamente relacionado con la temperatura y la humedad ambientales. De forma general, podemos decir que las personas perciben una sensación de confort térmico cuando las condiciones ambientales están dentro de lo que llamamos "zona de confort térmico". Esta zona se corresponde con el intervalo de temperatura de entre 18° y 30°C y una humedad relativa de entre el 30 y el 70% aproximadamente.



Además de influir en el confort, la humedad y la temperatura son capaces de influir incluso en factores como nuestra productividad y nuestro nivel de atención, por lo que el confort térmico es un elemento muy a tener en cuenta no sólo en nuestros hogares, sino en nuestro espacio de trabajo.

1.2 VENTILAR Y REFRESCAR. ¿POR QUÉ?

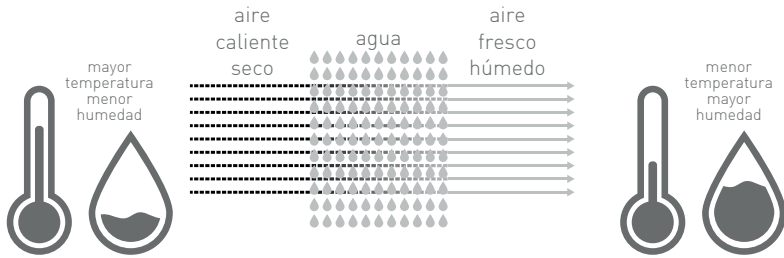
En los meses más cálidos del año lo que suele ocurrir es que necesitamos rebajar la temperatura del aire para llegar a nuestra zona de confort térmico y para conseguirlo, una solución muy eficiente es el uso de un CLIMATIZADOR EVAPORATIVO, que realiza dos tareas fundamentales: **ventilar y refrescar**.

Ventilar: la sensación térmica del aire que nos rodea depende de la velocidad del mismo. Es decir, una corriente de aire nos da una menor sensación de temperatura que un aire en calma.

Sensación de temperatura percibida en función de la velocidad del aire.								
velocidad del aire m/s	Température de l'air (°C)							
	25	26	27	28	29	30	31	32
	Temperatura equivalente (°C)							
8	22.1	23.5	24.7	26.5	27.8	29.2	29.8	32.2
9	22.1	23.5	24.7	26.5	27.8	29.2	29.8	32.1
10	22.0	23.3	24.5	26.2	27.4	29.0	29.6	31.0
11	22.0	23.2	24.5	26.2	27.4	29.0	29.6	31.0
12	21.9	23.1	24.3	26.0	27.2	28.8	29.4	30.6

Por eso en muchas ocasiones un simple ventilador es capaz de aliviarnos la sensación de calor. Pero, **¿y si además de mover el aire, conseguimos enfriarlo?** ¡Esto es exactamente lo que hace un climatizador evaporativo! Ventilar y refrescar el aire a través del enfriamiento evaporativo.

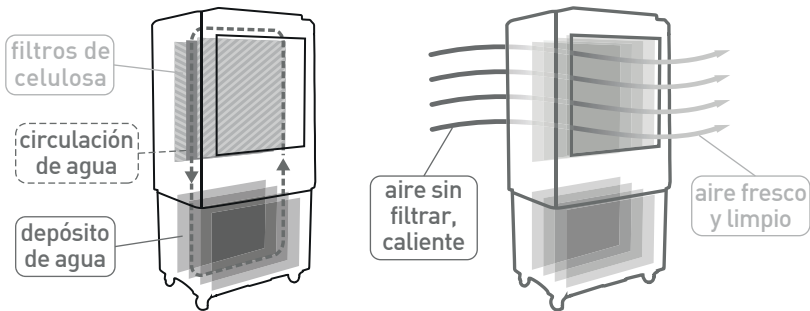
1.3 ENFRIAMIENTO EVAPORATIVO.



Los climatizadores evaporativos utilizan el principio natural de evaporación del agua para producir aire fresco: el aire seco disminuye su temperatura de forma natural si aumentamos su humedad. Este fenómeno es el mismo que se da por ejemplo en las orillas del mar o de un río, donde el viento entra en contacto con el agua y se convierte en una brisa capaz de refrescarnos.

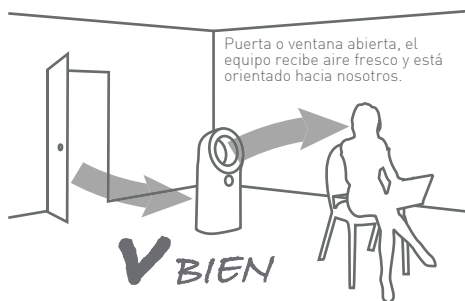
Este principio es muy interesante debido a que no es necesario gastar energía para humedecer el aire, sino que es algo que podemos conseguir de forma natural, y esto hace que el consumo energético de un enfriador evaporativo sea equivalente al de un ventilador.

Los climatizadores evaporativos funcionan haciendo pasar un flujo de aire por unos filtros de enfriamiento, que están empapados de agua y el aire capta humedad y reduce su temperatura al atravesarlos. Convierten el aire caliente y seco en aire más fresco y más húmedo. Además, el hecho de que filtren el aire sirve para purificar el ambiente y mejorar la calidad del aire.



La capacidad de enfriamiento de estos equipos siempre dependerá de las condiciones de temperatura y humedad ambientales. Si la temperatura es alta y la humedad baja, obtendremos una mayor capacidad de enfriamiento. Si la temperatura no es muy alta o existe mucha humedad, el rendimiento será menor. En cualquier caso, usar correctamente el climatizador servirá para alcanzar la zona de confort térmico en la gran mayoría de las ocasiones.

Debemos usar siempre los climatizadores en espacios ventilados, para que el equipo pueda alimentarse constantemente de aire nuevo. También debemos orientar el chorro de aire hacia donde estemos situados para aprovechar el efecto refrescante que produce por una parte el aire fresco, y por otra el aire en movimiento.



No debemos usar estos equipos en estancias cerradas, ya que obtendremos el efecto contrario al buscado: el aire se saturará de humedad y aumentará la sensación de calor y agobio.



2. RECOMENDACIONES GENERALES

Los enfriadores evaporativos funcionan haciendo pasar un flujo de aire por unos filtros de enfriamiento, que están saturados de agua, de forma que al aumentar su humedad relativa rebajan su temperatura. Convierten el aire caliente y seco en aire fresco y húmedo. Además, el hecho de que filtren el aire sirve para purificar el ambiente y mejorar la calidad del aire.

Para conseguir el máximo enfriamiento y calidad del aire, tenga en cuenta las siguientes recomendaciones:



1. Utilice el equipo en lugares bien ventilados. Si se usa en un espacio cerrado o con poca ventilación, el rendimiento del equipo puede reducirse considerablemente y será muy difícil rebajar la temperatura del aire.



2. Trate de colocar el equipo de espaldas a una puerta o ventana abiertas, de forma que la mayor parte posible de aire nuevo que entra en la estancia pasa por nuestro equipo. Esto aumentará el rendimiento del equipo y mejorará la calidad del aire que respiramos.



3. Mantenga limpios los filtros del equipo. Cuanto más limpios se encuentren, mayor poder de enfriamiento y filtrado de aire tendrá nuestro equipo.



4. Cambie el agua del depósito en cuanto detecte que contiene suciedad. Parte de las partículas del aire al pasar por los filtros pueden terminar en el depósito de agua. Usar el equipo con agua sucia, disminuye su rendimiento, empeora la calidad del aire y puede crear problemas de funcionamiento.



5. Antes de guardar el equipo, asegúrese de que los filtros y el depósito están limpios y secos.

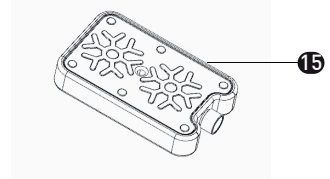
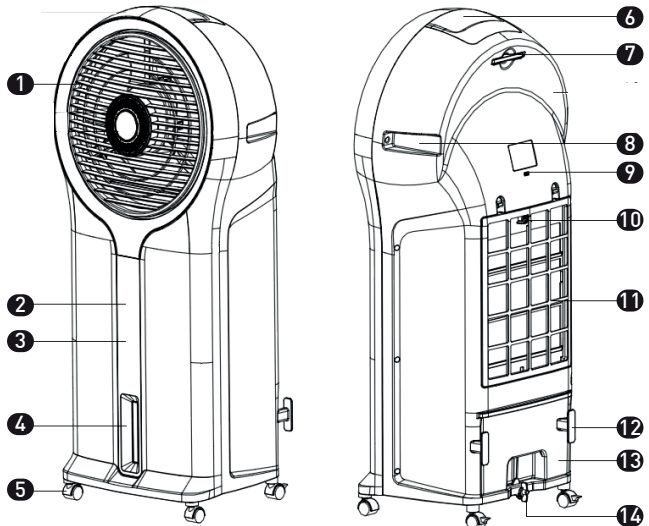


6. No introduzca ningún líquido en el depósito que no sea agua. Mezclar productos químicos con el agua puede poner en riesgo la salud de las personas, animales y plantas, así como deteriorar los filtros de enfriamiento.

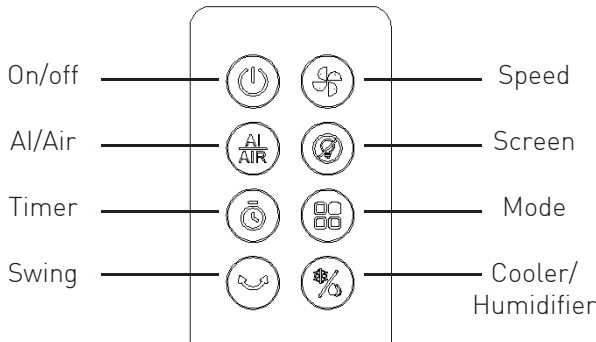
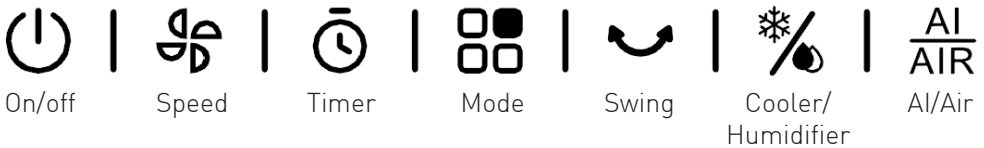
3. COMPONENTES PRINCIPALES

Componentes principales del dispositivo:

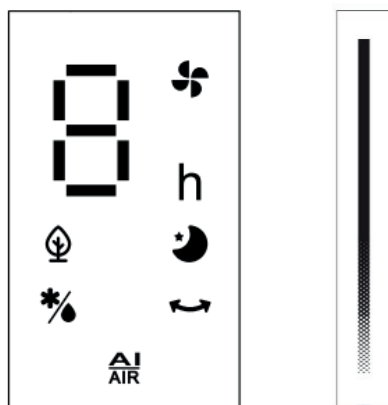
- 1. ROTOR
- 2. DISPLAY
- 3. RECEPTOR MANDO A DISTANCIA
- 4. INDICADOR DE NIVEL DE AGUA
- 5. RUEDAS
- 6. PANEL DE CONTROL
- 7. ALOJAMIENTO MANDO A DISTANCIA
- 8. ASIDERO
- 9. ENTRADA DETECTOR DE AIRE
- 10. CIERRE PRE FILTRO
- 11. PRE FILTRO
- 12. SOPORTE DEL CABLE DE ALIMENTACIÓN
- 13. DEPÓSITO DE AGUA
- 14. CIERRE DEPÓSITO
- 15. ICE BOX



Panel de control y mando a distancia:



Display led e indicador de calidad de aire:



4. ESPECIFICACIONES TÉCNICAS

POTENCIA	110 W
MAX CAUDAL AIRE	800 m ³ /h
ÁREA DE COBERTURA	12 m ²
VELOCIDADES	3
DEPÓSITO DE AGUA	5,5 L
DIMENSIONES	29/41/89 cm
PESO	7.3 Kg
VOLTAJE	220-240 V
FRECUENCIA	50 Hz

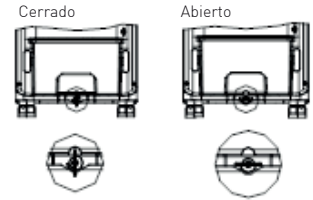
5. PRECAUCIONES

1. Lea detenidamente el manual antes de usar el aparato.
2. Este producto sólo debe usarse con fuentes de alimentación de CA de 220-240 V, 50 Hz.
3. Deje de usar el equipo inmediatamente si funciona anormalmente y contacte centro de servicio técnico. El usuario no debe desmontar ni reparar la máquina.
4. Si el cable de alimentación está dañado, solo debe ser reemplazado por el fabricante o el centro de servicio técnico.
5. El cable de alimentación no se debe rayar, dañar, doblar, tirar, torcer ni presionar con objetos pesados, de lo contrario puede causar descargas eléctricas, cortocircuitos e incendios.
6. Esta máquina no debe colocarse en un lugar accesible para los niños. Los niños no deben utilizar la máquina. Los niños no deben jugar con el aparato.
7. No introduzca la mano ni ningún objeto en la salida de aire ni en los filtros.
8. La máquina no debe colocarse en superficies irregulares, no deje tornillos u otros elementos diversos en el ventilador. No debe haber cortinas ni nada por el estilo detrás del ventilador.
9. No cubra este aparato cuando esté funcionando.
10. Coloque la máquina sobre una superficie horizontal para su uso, de modo que no se caiga y dañe los componentes internos.
11. Este aparato es solo para uso interior o exterior protegido. Proteja el equipo de suelos mojados, salpicaduras de agua, lluvia, y exposición directa al sol.
12. No utilice la máquina alrededor del baño, piscina o lugares húmedos. Este producto no debe sumergirse en agua bajo ninguna circunstancia.
13. Cuando la máquina está funcionando, está prohibido bloquear la salida de aire y la entrada de aire a través de la parte del filtro.
14. El nivel de agua del depósito debe estar siempre entre las marcas de MIN y MAX.

- 15.No incline ni vuelque el equipo. Si esto ocurre con agua en su interior desconéctelo inmediatamente de la red eléctrica. No vuelva a conectarlo hasta que esté completamente seco.
- 16.No permita que el área alrededor del humidificador se humedezca o se moje. Si se produce humedad, baje la velocidad del humidificador. Si no se puede bajar la velocidad del humidificador, utilice el humidificador de forma intermitente. No permita que los materiales absorbentes, como alfombras, cortinas o manteles cercanos, se humedezcan.
- 17.Mantenga limpios los filtros del dispositivo y el depósito de agua.
- 18.Desenchufe el aparato durante el llenado y la limpieza.
- 19.Para prolongar la vida útil del producto, no lo use en lugares extremadamente calientes, húmedos o con aceite y polvo, y no lo use junto al fuego o artículos inflamables, para evitar incendios.
- 20.Nunca deje agua en el tanque cuando la máquina no esté en uso. Vacíe, limpie y seque la máquina antes de guardarla.
- 21.Tenga en cuenta que los niveles altos de humedad pueden estimular el crecimiento de organismos biológicos en el medio ambiente.
- 22.No ingiera la batería, peligro de quemaduras químicas. Si se traga la pila tipo moneda / botón, puede provocar quemaduras internas graves en solo 2 horas y provocar la muerte.
- 23.Si el compartimento de la batería no se cierra de forma segura, deje de usar el producto y manténgalo alejado de los niños.
- 24.Mantenga las baterías nuevas y usadas fuera del alcance de los niños.
- 25.El mando a distancia debe utilizarse correctamente. Evite golpes o inmersión en agua. Preste atención a la polaridad al instalar la batería.
- 26.Las baterías contienen materiales que son peligrosos para el medio ambiente; deben retirarse del aparato antes de desecharlo y eliminarse de forma segura.

6. INSTRUCCIONES DE USO

1. Llenado de agua: Abra el depósito de agua y vierta el agua limpia hasta que el nivel de agua alcance el máximo en el indicador. **Advertencia: No supere el máximo del indicador de agua.**



2. Conecte el equipo a la red y entrará en modo **STANDBY**.

3. Presione **ON/OFF** para encender el equipo una vez enchufado, o ponerlo en modo **STANDBY** si está funcionando.

4. Presione **SPEED** para seleccionar la velocidad del viento (1,2 ó 3). Presione **SPEED** durante 3 seg. para iniciar el **MODO SECADO DE FILTROS** (el equipo comienza a funcionar en velocidad 3 durante 20 minutos). En este modo el resto de funciones quedarán invalidadas a excepción de **ON/OFF**. Presione **SPEED** durante 3 seg. de nuevo para abortar el **MODO SECADO DE FILTROS** (el equipo funcionará 20 seg. más en velocidad 3 y se pondrá en modo **STANDBY**).

5. Presione el botón **COOLER/HUMIDIFIER** para iniciar/detener el enfriamiento evaporativo. Al activar la función cooler, el equipo no podrá trabajar en velocidad tres durante los siguientes 3 minutos. Si el equipo está en velocidad 3 bajará a velocidad 2. Pasados 3 minutos se puede volver a seleccionar cualquier velocidad.

6. Presione **TIMER** para programar el apagado automático de 1 a 9 h. Una vez programado, el equipo mostrará alternativamente en el display el tiempo de funcionamiento restante y la velocidad seleccionada.

7. Presione el botón **SWING** para activar la oscilación horizontal del aire.

8. Presione **MODE** para seleccionar el modo de viento:

- Normal: el equipo funciona a la velocidad seleccionada.
- Sleep: el equipo reduce una velocidad cada 30 minutos.
- Natural: el equipo funciona a la velocidad seleccionada imitando corrientes de aire natural.

9. Presione **AI/AIR** para encender/apagar la función de detección de calidad del

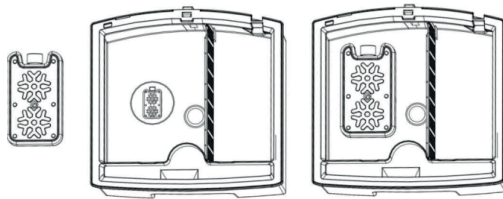
aire. Una vez presionamos **AI/AIR**, el equipo tarda unos 60 seg. en precalentar el sensor de calidad de aire (el indicador alternará los colores verde, amarillo y rojo en este proceso). Una vez en funcionamiento, el indicador se iluminará en verde para un aire limpio, amarillo para una calidad de aire media, y rojo para una mala calidad de aire.

10. Presione **SCREEN** (sólo disponible en el mando a distancia) con el equipo en funcionamiento para apagar todos los indicadores del display. Con el display apagado, presione SCREEN o cualquier otro botón para encender el display. Con el display encendido, pulse cualquier tecla para operar el equipo. Si el equipo no se opera durante más de 30 seg. la luz del display se atenuará hasta que volvamos a tocar algún botón.

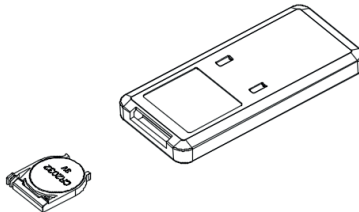
11. **FALTA DE AGUA:** si el equipo está funcionando con el COOLER encendido y detecta falta de agua desactivará el COOLER automáticamente para proteger la bomba de agua.

12. **Protección de uso prolongado:** el equipo está programado para detenerse automáticamente después de 15 h de funcionamiento ininterrumpido. Puede desactivar/reactivar esta función presionando SWING durante 3 segundos (el equipo emitirá un pitido de confirmación).

13. **ICE BOX:** si desea conseguir un enfriamiento extra, introduzca el ICE BOX congelado en el depósito de agua en el lado indicado del depósito de agua.



14. **Mando a distancia:** debe instalar la pila (tipo 3V CR2032) en el mando antes de poder usarlo como se indica en la figura.



7. LIMPIEZA Y MANTENIMIENTO

Desenchufe SIEMPRE el cable de alimentación antes del mantenimiento.

LIMPIEZA DEL EQUIPO:

Limpie la superficie del aparato con un paño suave húmedo. No permita que caiga agua en el interior de la máquina.

Tenga en cuenta que la superficie no se debe pulir con papel de lija, encerar, limpiar con gasolina, ácido, álcali, benceno y otros disolventes orgánicos para evitar la decoloración y el deterioro.

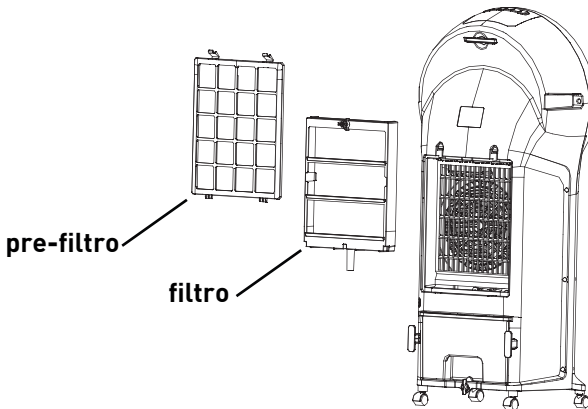
LIMPIEZA DEL DEPÓSITO DE AGUA:

Abra el depósito y vacíe el agua. Límpielo con un cepillo suave o esponja y detergente. **Precaución: asegúrese de limpiar y desinfectar frecuentemente el depósito para evitar la posible acumulación de bacterias o virus en el mismo.**

LIMPIEZA DEL FILTRO Y EL PREFILTRO:

Retire el pre filtro y luego extraiga el filtro de enfriamiento.

Límpielos con agua y un cepillo suave para eliminar la suciedad. Si es necesario puede usar también un detergente suave para limpiarlos.



8. SOLUCIÓN DE PROBLEMAS

PROBLEMA	POSIBLE CAUSA	SOLUCIONES
El equipo no funciona.	No llega corriente eléctrica.	Verifique que el cable de alimentación está enchufado. Verifique la fuente de alimentación. Presione ON/OFF.
No hay caudal de aire.	Motor dañado. Atasco en la rejila o los filtros.	Contacte con SAT. Limpie el equipo.
El equipo no enfría.	Nivel de agua bajo. Bomba de agua dañada. El filtro está sucio. Hay demasiada humedad en el ambiente.	Rellene el depósito de agua. Contacte con SAT. Limpie el equipo. Puede usar el equipo como ventilador.
Mal olor.	El agua o el filtro están sucios.	Cambie el agua o limpie el equipo.
Aumenta la sensación de calor en la estancia.	No hay renovación de aire y la humedad relativa está aumentando demasiado.	Asegúrese de que la estancia está bien ventilada y el equipo puede recibir aire nuevo constantemente.

9. SERVICIO TÉCNICO

En MCONFORT estaremos encantados de solucionar cualquier incidencia que pueda darse en su equipo, así como de resolver todas las dudas que pudieran surgirle respecto al mismo.

Por favor, no dude en ponerse en contacto con nosotros a través de los siguientes canales:

e-mail **sat@mconfort.com**
telephone **+34 961 536 720**

10. PROTECCIÓN MEDIOAMBIENTAL

Gracias a la eliminación respetuosa con el medio ambiente pueden reutilizarse materiales valiosos.

1. Desenchufe el cable de conexión de red eléctrica.
2. Corte el cable de conexión de red.
3. Deseche el dispositivo de acuerdo con las regulaciones ambientales.



Este aparato está marcado con el símbolo de cumplimiento con la Directiva Europea 2012/19/UE relativa a los aparatos eléctricos y electrónicos usados (Residuos de aparatos eléctricos y electrónicos RAEE). La directiva proporciona el marco general válido en todo el ámbito de la Unión Europea para la retirada y la reutilización de los residuos de los aparatos eléctricos y electrónicos.

11. GARANTÍA DE PRODUCTO

Periodo de la garantía:

1. La garantía se aplica a las líneas de producto de Enfriadores Evaporativos, Humidificadores, Calefactores, Alfombras Calefactoras suministrados bajo la marca MCONFORT.
2. El periodo de garantía es de 2 años, computados desde la fecha de venta.
3. MCONFORT prestará a su conveniencia la asistencia técnica en el domicilio del cliente, recogerá el equipo para repararlo en sus instalaciones o indicará al cliente el SAT más cercano donde entregar el equipo para su reparación.

Requisitos para la validez de la garantía:

1. La presente garantía se aplica únicamente en el territorio nacional español.
2. El equipo ha debido ser utilizado de conformidad con las instrucciones que se detallan en el manual de usuario.
3. Únicamente puede cubrir la garantía el servicio técnico autorizado MCONFORT.
4. El documento que valida la garantía y que a su vez indica el inicio de la misma será la FACTURA DE COMPRA.

Coberturas de la garantía:

1. La presente garantía no afecta a los derechos de que dispone el usuario conforme a lo previsto en el RDL 1/2007.
2. De acuerdo con el título V del RDL 1/2007, el usuario tendrá derecho a exigir al vendedor, y/o al productor en los casos determinados por la ley, la reparación y/o sustitución del producto.
3. Durante el tiempo que dure la reparación del equipo, no se abonará cantidad alguna por daños y perjuicios por el tiempo que el equipo haya estado fuera de servicio.
4. No nos hacemos responsables de los daños que el equipo pueda causar a elementos externos.

Exclusiones de la garantía:

1. El incumplimiento de cualquiera de los requisitos citados previamente.
2. Cuando el uso que se le haya dado al equipo no fuera exclusivamente el doméstico.
3. La garantía no cubre accesorios o complementos añadidos al equipo.
4. Las demostraciones o puesta en marcha de equipos.
5. Si la avería es producida por incendio, inundación, agentes meteorológicos, golpeo o aplicación de suministro eléctrico inadecuado.
6. Los daños por maltrato, incluidos los de transporte, que deberán ser reclamados a la compañía de transporte. Conviene inspeccionar los paquetes recibidos en presencia del personal de la compañía de transportes, antes de firmar el albarán de conformidad de la recepción.
7. Las averías producidas por rotura física en carcasas o plásticos.
8. La utilización de recambios no originales de MCONFORT.
9. Las averías provocadas por mal uso.
10. Los equipos que no lleven el número de serie de fabricación, o que este haya sido alterado o borrado.
11. Cuando el equipo haya sido manipulado o reparado por personal ajeno o no autorizado por MCONFORT.
12. Los trabajos de mantenimiento y limpieza de los equipos
13. Las averías producidas por desgaste o uso normal del equipo, como obstrucción de filtros o desagües.



Cher client:

Nous tenons à vous remercier pour la confiance que vous nous accordez et vous souhaitons la bienvenue dans le confort et la commodité que votre équipement MCONFORT vous offrira prochainement. Nous restons à votre disposition pour répondre à tout doute ou question sur les caractéristiques et le fonctionnement de votre équipement. Nous espérons que vous apprécierez les avantages de votre équipement MCONFORT, une marque de qualité qui prend soin des détails et recherche la plus grande satisfaction de ses clients.

Cordialement:

L'équipe MCONFORT

MANUEL D'UTILISATION - INDEX

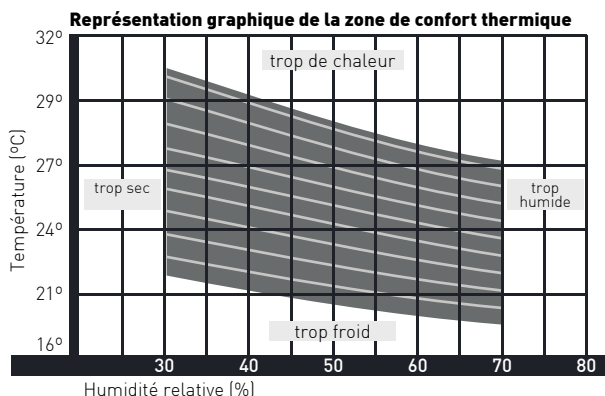
1. Introduction au refroidissement par évaporation	32
2. Recommandations générales	35
3. Principaux composants	36
4. Spécifications techniques	37
5. Précautions	38
6. Mode d'emploi	40
7. Nettoyage et entretien	42
8. Dépannage	43
9. Service technique	44
10. Protection de l'environnement	44
11. Garantie	45

1. INTRODUCTION AU REFROIDISSEMENT ÉVAPORATIF

L'objectif principal des climatiseurs évaporatifs est d'augmenter le niveau de confort de n'importe quel espace de manière naturelle et efficace. Afin de tirer le meilleur parti de ce type d'équipement, vous devriez lire cette introduction au refroidissement par évaporation.

1.1 ZONE DE CONFORT THERMIQUE

Notre niveau de confort est directement lié à la température et à l'humidité ambiantes. De manière générale, on peut dire que les gens perçoivent une sensation de confort thermique lorsque les conditions environnementales se situent dans ce que l'on appelle la « zone de confort thermique ». Cette zone correspond à la plage de température comprise entre 18° et 30°C et une humidité relative comprise entre 30 et 70% environ.



En plus d'influencer le confort, l'humidité et la température sont même capables d'influencer des facteurs tels que notre productivité et notre niveau d'attention, le confort thermique est donc un élément à prendre en compte non seulement dans nos maisons, mais dans notre espace de travail.

1.2 VENTILER ET REFROIDIR. PARCE QUE ?

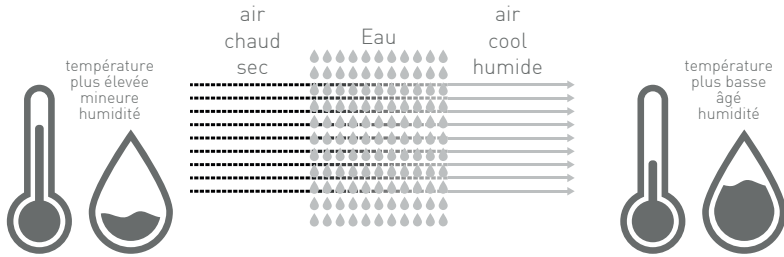
Pendant les mois les plus chauds de l'année, ce qui se passe généralement, c'est que nous devons abaisser la température de l'air pour atteindre notre zone de confort thermique et pour y parvenir, une solution très efficace est l'utilisation d'un CLIMATISEUR ÉVAPORATIF, qui effectue deux tâches fondamentales: **ventiler et rafraîchir**.

Ventiler : la sensation thermique de l'air qui nous entoure dépend de sa vitesse. C'est-à-dire qu'un courant d'air nous donne une sensation de température plus faible que l'air calme.

Sensation de température perçue en fonction de la vitesse de l'air.								
vitesse de l'air m/s	Température de l'air (°C)							
	25	26	27	28	29	30	31	32
	Température équivalente (°C)							
8	22.1	23.5	24.7	26.5	27.8	29.2	29.8	32.2
9	22.1	23.5	24.7	26.5	27.8	29.2	29.8	32.1
10	22.0	23.3	24.5	26.2	27.4	29.0	29.6	31.0
11	22.0	23.2	24.5	26.2	27.4	29.0	29.6	31.0
12	21.9	23.1	24.3	26.0	27.2	28.8	29.4	30.6

C'est pourquoi, à de nombreuses reprises, un simple ventilateur est capable de nous soulager de la sensation de chaleur. Mais, et si en plus de déplacer l'air, on réussissait à le refroidir ? C'est exactement ce que fait un refroidisseur par évaporation ! Ventilez et refroidissez l'air grâce au refroidissement par évaporation.

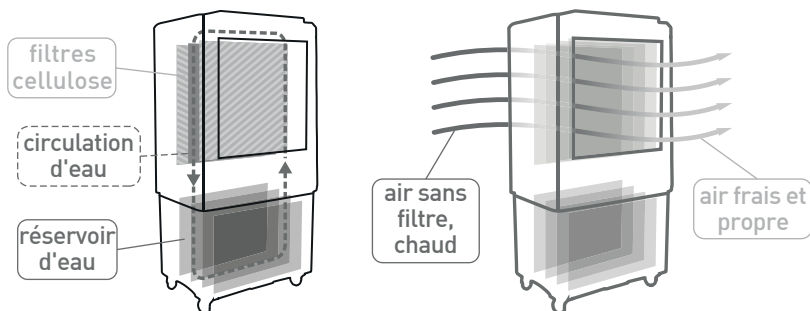
1.3 REFROIDISSEMENT ÉVAPORATIF.



Les climatiseurs évaporatifs utilisent le principe naturel de l'évaporation de l'eau pour produire de l'air frais : l'air sec diminue naturellement sa température si on augmente son humidité. Ce phénomène est le même qui se produit, par exemple, au bord de la mer ou d'une rivière, où le vent qui entre en contact avec l'eau devient une brise capable de nous rafraîchir.

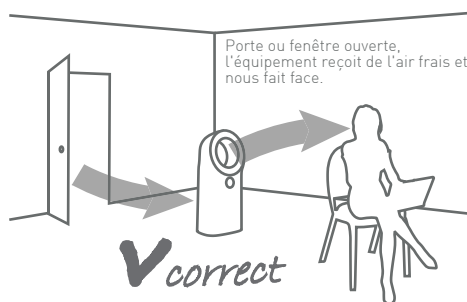
Ce principe est très intéressant car il n'est pas nécessaire de dépenser de l'énergie pour humidifier l'air, mais plutôt c'est quelque chose que l'on peut réaliser naturellement, et cela rend la consommation énergétique d'un refroidisseur par évaporation équivalente à celle d'un ventilateur.

Les refroidisseurs à évaporation fonctionnent en faisant passer un flux d'air à travers des filtres de refroidissement, qui sont imbibés d'eau et l'air capte l'humidité et réduit sa température lorsqu'il les traverse. Ils convertissent l'air chaud et sec en air plus frais et plus humide. De plus, le fait qu'ils filtrent l'air sert à purifier l'environnement et à améliorer la qualité de l'air.



La capacité de refroidissement de cet équipement dépendra toujours des conditions ambiantes de température et d'humidité. Si la température est élevée et l'humidité est faible, nous obtiendrons une plus grande capacité de refroidissement. Si la température n'est pas très élevée et s'il y a beaucoup d'humidité, les performances seront inférieures. Dans tous les cas, utiliser correctement le climatiseur permettra d'atteindre la zone de confort thermique dans la grande majorité des cas.

Nous devons toujours utiliser les climatiseurs dans des espaces ventilés, afin que l'équipement puisse être constamment alimenté en air neuf. Il faut aussi diriger le flux d'air vers l'endroit où l'on se trouve pour profiter de l'effet rafraîchissant produit par l'air frais d'une part, et l'air en mouvement d'autre part.



Nous ne devons pas utiliser cet équipement dans des pièces fermées, car nous obtiendrons l'effet inverse: l'air sera saturé d'humidité et la sensation de chaleur et d'envahissement augmentera.



2. RECOMMANDATIONS GÉNÉRALES

Les refroidisseurs évaporatifs fonctionnent en faisant passer un flux d'air à travers des filtres de refroidissement, qui sont saturés d'eau, de sorte qu'en augmentant leur humidité relative, ils abaissent leur température. Ils convertissent l'air chaud et sec en air frais et humide. De plus, le fait qu'ils filtrent l'air sert à purifier l'environnement et à améliorer la qualité de l'air.

Pour optimiser le refroidissement et la qualité de l'air, tenez compte des recommandations suivantes:



1. Utilisez l'équipement dans des endroits bien ventilés. S'il est utilisé dans un espace clos ou mal ventilé, les performances de l'équipement peuvent être considérablement réduites et il sera très difficile d'abaisser la température de l'air.



2. Essayez de placer l'équipement dos à une porte ou une fenêtre ouverte, de sorte que le plus d'air neuf possible entrant dans la pièce passe à travers notre équipement. Cela augmentera les performances de l'équipement et améliorera la qualité de l'air que nous respirons.



3. Gardez les filtres de l'équipement propres. Plus ils sont propres, plus notre équipement aura de puissance de refroidissement et de filtrage de l'air.



4. Changez l'eau du réservoir dès que vous détectez qu'il contient de la saleté. Une partie des particules en suspension dans l'air passant à travers les filtres peut se retrouver dans le réservoir d'eau. L'utilisation d'équipement avec de l'eau sale diminue ses performances, détériore la qualité de l'air et peut créer des problèmes de fonctionnement.



5. Avant de ranger l'équipement, assurez-vous que les filtres et le réservoir sont propres et secs.

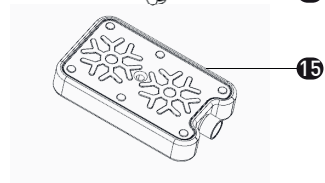
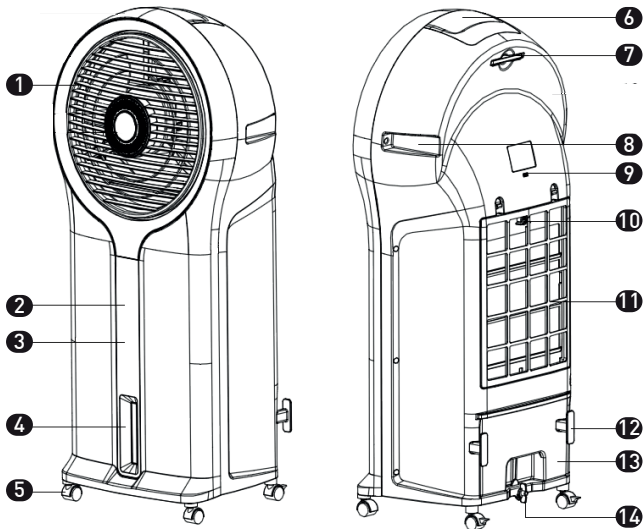


6. Ne mettez aucun liquide dans le réservoir autre que de l'eau. Le mélange de produits chimiques avec de l'eau peut mettre en danger la santé des personnes, des animaux et des plantes, et endommager les filtres de refroidissement.

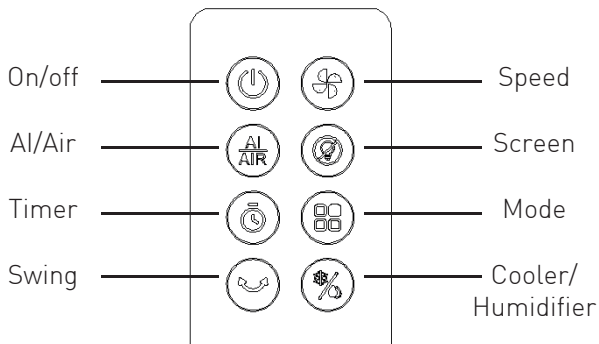
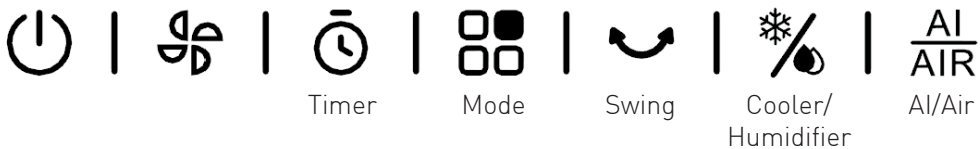
3. COMPOSANTS PRINCIPAUX

Principaux composants de l'appareil:

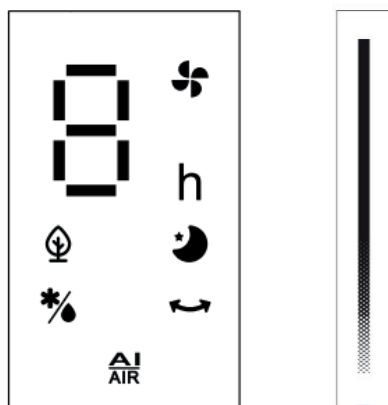
1. ROTOR
2. DISPLAY
3. RÉCEPTEUR DE TÉLÉCOMMANDE
4. INDICATEUR DE NIVEAU
5. ROUES
6. PANNEAU DE COMMANDE
7. BOÎTIER DE LA TÉLÉCOMMANDE
8. SUPPORT
9. ENTRÉE DU DÉTECTEUR D'AIR
10. FERMETURE DU PRE-FILTRE
11. PRE-FILTRE
12. SUPPORT DU CABLE D'ALIMENTATION
13. RÉSERVOIR D'EAU
14. FERMETURE DU RÉSERVOIR D'EAU
15. ICE BOX



Panneau de contrôle et télécommande:



Display led et indicateur de qualité de l'air ::



4. SPÉCIFICATIONS TECHNIQUES

PUISSANCE	110 W
MAX FLUX D'AIR	800 m ³ /h
ZONE DE COUVERTURE	12 m ²
VITESSE	3
RÉSERVOIR D'EAU	5,5 L
DIMENSIONS	29/41/89 cm
POIDS	7.3 Kg
TENSION	220-240 V
FRÉQUENCE	50 Hz

5. PRÉCAUTIONS

1. Lisez attentivement le manuel avant d'utiliser l'appareil.
2. Ce produit ne doit être utilisé qu'avec des sources d'alimentation CA 220-240 V, 50 Hz.
3. Arrêtez immédiatement d'utiliser l'équipement s'il fonctionne anormalement et contactez centre de service technique. L'utilisateur ne doit pas démonter ni réparer la machine.
4. Si le cordon d'alimentation est endommagé, il ne doit être remplacé que par le fabricant ou le centre de service.
5. Le cordon d'alimentation ne doit pas être rayé, endommagé, plié, tiré, tordu ou pressé avec des objets lourds, sinon cela pourrait provoquer un choc électrique, un court-circuit et un incendie.
6. Cette machine ne doit pas être placée dans un endroit accessible aux enfants. Les enfants ne doivent pas utiliser la machine. Les enfants ne doivent pas jouer avec l'appareil.
7. Ne mettez pas votre main ou tout objet dans la sortie d'air ou les filtres.
8. La machine ne doit pas être placée sur des surfaces inégales, ne laissez pas de vis ou d'autres éléments divers dans le ventilateur. Il ne devrait y avoir aucun rideau ou quelque chose comme ça derrière le ventilateur.
9. Ne couvrez pas cet appareil lorsqu'il fonctionne.
10. Placez la machine sur une surface horizontale pour l'utiliser afin qu'elle ne tombe pas et n'endommage pas les composants internes.
11. Cet appareil est destiné à une utilisation en intérieur ou en extérieur protégé uniquement. Protégez l'équipement des sols mouillés, des éclaboussures d'eau, de la pluie et de l'exposition directe au soleil.
12. N'utilisez pas la machine dans la salle de bain, la piscine ou les endroits humides. Ce produit ne doit en aucun cas être immergé dans l'eau.
13. Lorsque la machine fonctionne, il est interdit de bloquer la sortie d'air et l'entrée d'air à travers la partie filtre.
14. Le niveau d'eau dans le réservoir doit toujours se situer entre les repères MIN et MAX.

15. Ne faites pas basculer ou renverser l'équipement. Si cela se produit avec de l'eau à l'intérieur, débranchez-le immédiatement du réseau électrique. Ne le rebranchez pas tant qu'il n'est pas complètement sec.
16. Ne laissez pas la zone autour de l'humidificateur devenir humide ou mouillée. En cas d'humidité, réduisez la vitesse de l'humidificateur. Si la vitesse de l'humidificateur ne peut pas être réduite, utilisez l'humidificateur par intermittence. Ne laissez pas les matériaux absorbants, tels que les tapis, les rideaux ou les nappes à proximité, se mouiller.
17. Gardez les filtres de l'appareil et le réservoir d'eau propres.
18. Débranchez l'appareil pendant le remplissage et le nettoyage.
19. Pour prolonger la durée de vie du produit, veuillez ne pas l'utiliser dans des endroits extrêmement chauds, humides ou huileux et poussiéreux, et ne pas l'utiliser à proximité d'un feu ou d'articles inflammables, pour éviter un incendie.
20. Ne laissez jamais d'eau dans le réservoir lorsque la machine n'est pas utilisée. Videz, nettoyez et séchez la machine avant de la ranger.
21. Sachez que des niveaux d'humidité élevés peuvent stimuler la croissance d'organismes biologiques dans l'environnement.
22. N'avalez pas la batterie, risque de brûlures chimiques. Si la pile bouton / pièce est avalée, cela peut provoquer de graves brûlures internes en aussi peu que 2 heures et entraîner la mort.
23. Si le compartiment à piles ne se ferme pas correctement, cessez d'utiliser le produit et gardez-le hors de portée des enfants.
24. Gardez les piles neuves et usagées hors de portée des enfants.
25. La télécommande doit être utilisée correctement. Évitez les chocs ou l'immersion dans l'eau. Faites attention à la polarité lors de l'installation de la batterie.
26. Les batteries contiennent des matériaux dangereux pour l'environnement; doit être retiré de l'appareil avant sa mise au rebut et éliminé en toute sécurité.

6. MODE D'EMPLOI

1. Remplissage d'eau : Ouvrez le réservoir d'eau et versez de l'eau propre jusqu'à ce que le niveau d'eau atteigne le maximum sur l'indicateur. **Attention : Ne dépassez pas le maximum de la jauge d'eau.**

2. Connectez l'équipement au réseau et il entrera en mode STANDBY.

3. Appuyez sur **ON/OFF** pour allumer l'équipement une fois branché, ou mettez-le en mode STANDBY s'il fonctionne.

4. Appuyez sur **SPEED** pour sélectionner la vitesse du vent (1, 2 ou 3). Appuyez sur SPEED pendant 3 secondes. pour lancer le MODE DE SÉCHAGE DU FILTRE (l'équipement commence à fonctionner à la vitesse 3 pendant 20 minutes). Dans ce mode, le reste des fonctions sera désactivé à l'exception de ON/OFF. Appuyez sur SPEED pendant 3 secondes à nouveau pour annuler le MODE DE SÉCHAGE DU FILTRE (l'équipement fonctionnera encore 20 secondes à la vitesse 3 et il passera en mode STANDBY).

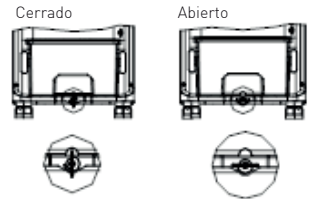
5. Appuyez sur le bouton **COOLER/HUMIDIFIER** pour démarrer/arrêter le refroidissement par évaporation. En activant la fonction refroidisseur, l'équipement ne pourra pas fonctionner à la vitesse trois pendant les 3 prochaines minutes. Si l'appareil est en vitesse 3, il descendra en vitesse 2. Au bout de 3 minutes, n'importe quelle vitesse pourra être à nouveau sélectionnée.

6. Appuyez sur **TIMER** pour programmer l'arrêt automatique de 1 à 9 h. Une fois programmé, l'équipement affichera alternativement le temps de fonctionnement restant et la vitesse sélectionnée sur l'écran.

7. Appuyez sur le bouton **SWING** pour activer le balancement horizontal de l'air.

8. Appuyez sur **MODE** pour sélectionner le mode vent :

- Normal : l'équipement fonctionne à la vitesse sélectionnée.
- Sommeil : l'équipement réduit une vitesse toutes les 30 minutes.
- Naturel : l'équipement fonctionne à la vitesse sélectionnée en imitant les courants d'air naturels.



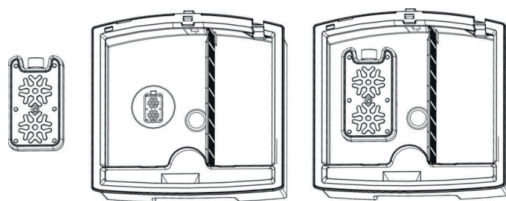
9. Appuyez sur **AI/AIR**, pour activer/désactiver la fonction de détection de la qualité de l'air. Une fois que nous appuyons sur AI/AIR, l'équipement prend environ 60 secondes. lors du préchauffage du capteur de qualité de l'air (l'indicateur alternera les couleurs verte, jaune et rouge dans ce processus). Une fois en marche, le voyant s'allume en vert pour un air pur, en jaune pour une qualité d'air moyenne et en rouge pour une mauvaise qualité d'air.

10. Appuyez sur **SCREEN** (uniquement disponible sur la télécommande) pendant que l'équipement est en marche pour éteindre tous les indicateurs sur l'écran. Lorsque l'écran est éteint, appuyez sur SCREEN ou sur n'importe quel autre bouton pour allumer l'écran. Lorsque l'écran est allumé, appuyez sur n'importe quelle touche pour faire fonctionner l'équipement. Si l'équipement n'est pas utilisé pendant plus de 30 sec. la lumière de l'écran s'atténuera jusqu'à ce que nous appuyions à nouveau sur un bouton.

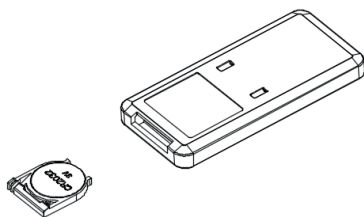
11. **MANQUE D'EAU:** si l'équipement fonctionne avec le REFROIDISSEUR allumé et qu'il détecte un manque d'eau, il désactivera automatiquement le REFROIDISSEUR pour protéger la pompe à eau.

12. **Protection d'utilisation à long terme:** l'équipement est programmé pour s'arrêter automatiquement après 15 heures de fonctionnement ininterrompu. Vous pouvez désactiver/réactiver cette fonction en appuyant sur SWING pendant 3 secondes (l'équipement émettra un bip de confirmation).

13. **ICE BOX:** Pour un refroidissement supplémentaire, insérez la ICE BOX congelée dans le réservoir d'eau sur le côté indiqué du réservoir d'eau.



14. **Télécommande:** Vous devez installer la pile (type 3V CR2032) dans la télécommande avant de pouvoir l'utiliser comme indiqué sur la figure.



7. NETTOYAGE ET ENTRETIEN

Débranchez TOUJOURS le cordon d'alimentation avant l'entretien.

NETTOYAGE DE L'APPAREIL :

Nettoyez la surface de l'appareil avec un chiffon doux et humide. Ne laissez pas l'eau tomber à l'intérieur de la machine.

Veillez noter que la surface ne doit pas être polie avec du papier de verre, cirée, nettoyée avec de l'essence, de l'acide, de l'alcali, du benzène et d'autres solvants organiques pour éviter la décoloration et la détérioration.

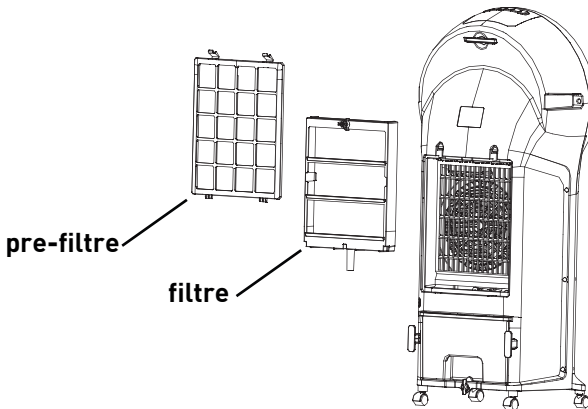
NETTOYAGE DU RÉSERVOIR D'EAU :

Ouvrez le réservoir et videz l'eau. Nettoyez-le avec une brosse douce ou une éponge et un détergent. **Attention : Assurez-vous de nettoyer et de désinfecter fréquemment le réservoir d'eau pour éviter l'accumulation possible de bactéries ou de virus dans le réservoir d'eau.**

NETTOYAGE DU FILTRE ET DU PRE-FILTRE :

Retirez le préfiltre, puis retirez le filtre de refroidissement.

Nettoyez-les avec de l'eau et une brosse douce pour enlever la saleté. Si nécessaire, vous pouvez également utiliser un détergent doux pour les nettoyer.



8. SOLUTION DE PROBLÈMES

PROBLÈME	CAUSE POSSIBLE	SOLUTIONS
L'équipement ne fonctionne pas.	Il n'y a pas de courant électrique.	Vérifiez que le cordon d'alimentation est branché. Vérifiez l'alimentation. Appuyez sur MARCHE/ARRÊT.
Il n'y a pas de flux d'air.	Moteur endommagé. Blocage dans la grille ou les filtres.	Contactez SAT. Matériel propre.
L'équipement ne refroidit pas.	Niveau d'eau bas. Pompe à eau endommagée. Le filtre est sale. Il y a trop d'humidité dans l'environnement.	Remplissez le réservoir d'eau. Contactez SAT. Matériel propre. Vous pouvez utiliser l'ordinateur comme ventilateur.
Mal odeur.	L'eau ou le filtre est sale.	Changer l'eau ou nettoyer l'équipement.
Augmente la sensation de chaleur dans la pièce.	Il n'y a pas de renouvellement d'air et l'humidité relative devient trop élevée.	Assurez-vous que la pièce est bien ventilée et que l'équipement peut constamment recevoir de l'air frais.

9. SERVICE D'ASSISTANCE TECHNIQUE

Chez MCONFORT, nous serons heureux de résoudre tout incident pouvant survenir sur votre ordinateur, ainsi que de résoudre tout doute pouvant survenir à son égard.

Veillez nous contacter via les canaux suivants:

e-mail **sat@mconfort.com**
téléphone **+34 961 536 720**

10. PROTECTION DE L'ENVIRONNEMENT

Grâce à une élimination respectueuse de l'environnement, des matériaux précieux peuvent être réutilisés.

1. Débranchez le câble d'alimentation secteur.
2. Coupez le câble de connexion réseau.
3. Mettez l'appareil au rebut conformément aux réglementations environnementales.



Este aparato está marcado con el símbolo de cumplimiento con la Directiva Europea 2012/19/UE relativa a los aparatos eléctricos y electrónicos usados (Residuos de aparatos eléctricos y electrónicos RAEE). La directiva proporciona el marco general válido en todo el ámbito de la Unión Europea para la retirada y la reutilización de los residuos de los aparatos eléctricos y electrónicos.

11. GARANTIE PRODUIT

Période de garantie:

1. La garantie s'applique aux gammes de produits Refroidisseurs par évaporation, Humidificateurs, Chauffages, Tapis chauffants fournis sous la marque MCONFORT.
2. La période de garantie est de 2 ans, à compter de la date de vente.
3. MCONFORT fournira une assistance technique à votre convenance au domicile du client, récupérera l'équipement pour le réparer dans ses installations ou indiquera au client le SAT le plus proche où livrer l'équipement pour réparation.

Conditions de validité de la garantie:

1. Cette garantie s'applique uniquement sur le territoire national espagnol.
2. L'équipement doit avoir été utilisé conformément aux instructions détaillées dans le manuel d'utilisation.
3. Seul le service technique agréé MCONFORT peut couvrir la garantie.
4. Le document qui valide la garantie et qui en indique à son tour le début sera la FACTURE D'ACHAT.

Coberturas de la garantía:

1. Cette garantie n'affecte pas les droits de l'utilisateur conformément aux dispositions de RDL 1/2007.
2. Conformément au titre V du RDL 1/2007, l'utilisateur aura le droit d'exiger du vendeur et / ou du producteur dans les cas déterminés par la loi, la réparation et / ou le remplacement du produit.
3. Pendant la durée de la réparation de l'équipement, aucun montant ne sera payé pour les dommages dus au temps où l'équipement a été hors service.
4. Nous ne sommes pas responsables des dommages que l'équipement pourrait causer aux éléments externes.

Exclusions de garantie:

1. Non-respect de l'une des exigences mentionnées précédemment.
2. Lorsque l'utilisation qui a été donnée à l'équipement n'était pas exclusivement domestique.
3. La garantie ne couvre pas les accessoires ou accessoires ajoutés à l'équipement.
4. Démonstrations ou mise en service des équipements.
5. Si le défaut est causé par un incendie, une inondation, des agents météorologiques, les chocs ou une mauvaise application de l'alimentation électrique.
6. Les dommages dus à un abus, y compris les dommages de transport, qui doivent être réclamés à la société de transport. Il est conseillé d'inspecter les colis reçus en présence du personnel de la société de transport, avant de signer le bon de livraison d'acceptation.
7. Les dommages causés par la rupture physique des boîtiers ou des plastiques.
8. L'utilisation de pièces de rechange MCONFORT non originales.
9. Pannes causées par une mauvaise utilisation.
10. Un équipement qui ne porte pas le numéro de série de fabrication, ou qui a été modifié ou effacé.
11. Lorsque l'équipement a été manipulé ou réparé par du personnel autre que ou non autorisé par MCONFORT.
12. Entretien et nettoyage du matériel
13. Pannes causées par l'usure ou l'utilisation normale de l'équipement, telles que des filtres ou des drains obstrués.



Estimado Cliente:

Queremos agradecer a confiança depositada em nós e recebê-lo no conforto e comodidade que seu equipamento MCONFORT lhe oferecerá em breve. Ficamos à disposição para esclarecer qualquer dúvida ou questionamento sobre as características e funcionamento de seu equipamento. Esperamos que você aproveite os benefícios de seus equipamentos MCONFORT, uma marca de qualidade que cuida dos detalhes e busca a maior satisfação de seus clientes.

Com os melhores cumprimentos:

a equipe MCONFORT

MANUAL DO USUÁRIO - ÍNDICE

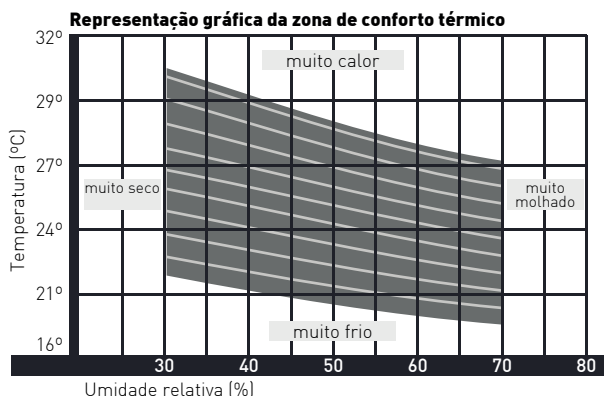
1. Introdução ao resfriamento evaporativo	47
2. Recomendações gerais	50
3. Principais componentes	51
4. Especificações técnicas	52
5. Precauções	53
6. Instruções de uso	55
7. Limpeza e manutenção	57
8. Solução de problemas	58
9. Serviço técnico	59
10. Proteção ambiental	59
11. Garantia	60

1. INTRODUÇÃO AO RESFRIAMENTO EVAPORATIVO

O principal objetivo dos climatizadores evaporativos é aumentar o nível de conforto de qualquer espaço de forma natural e eficiente. Para tirar o máximo proveito deste tipo de equipamento, você deve ler esta introdução ao resfriamento evaporativo.

1.1 ZONA DE CONFORTO TÉRMICO

Nosso nível de conforto está diretamente relacionado à temperatura e umidade do ambiente. Em geral, podemos dizer que as pessoas percebem uma sensação de conforto térmico quando as condições ambientais estão dentro do que chamamos de “zona de conforto térmico”. Esta zona corresponde à faixa de temperatura entre 18° e 30°C e uma umidade relativa entre 30 e 70% aproximadamente.



Além de influenciar o conforto, a umidade e a temperatura são ainda capazes de influenciar fatores como nossa produtividade e nosso nível de atenção, por isso o conforto térmico é um elemento a ser levado em consideração não apenas em nossas casas, mas em nosso espaço de trabalho.

1.2 VENTILAR E REFRIGERAR. PORQUE?

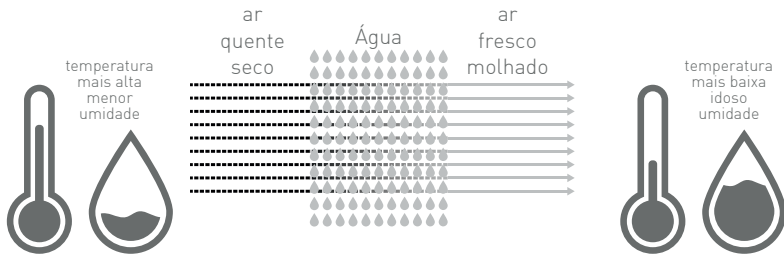
Nos meses mais quentes do ano, o que geralmente acontece é que precisamos baixar a temperatura do ar para atingir nossa zona de conforto térmico e para isso, uma solução muito eficiente é a utilização de um AR CONDICIONADO EVAPORATIVO, que realiza duas tarefas fundamentais: **ventilar e refrescar**.

Ventilar: a sensação térmica do ar que nos rodeia depende da sua velocidade. Ou seja, uma corrente de ar nos dá uma sensação de temperatura mais baixa do que o ar calmo.

Sensação de temperatura percebida em função da velocidade do ar.								
velocidade do ar m/s	Temperatura do ar [°C]							
	25	26	27	28	29	30	31	32
	Temperatura equivalente [°C]							
8	22.1	23.5	24.7	26.5	27.8	29.2	29.8	32.2
9	22.1	23.5	24.7	26.5	27.8	29.2	29.8	32.1
10	22.0	23.3	24.5	26.2	27.4	29.0	29.6	31.0
11	22.0	23.2	24.5	26.2	27.4	29.0	29.6	31.0
12	21.9	23.1	24.3	26.0	27.2	28.8	29.4	30.6

É por isso que em muitas ocasiões um simples ventilador é capaz de nos aliviar da sensação de calor. Mas, e se além de movimentar o ar, conseguíssemos resfriá-lo? Isso é exatamente o que um resfriador evaporativo faz! Ventilar e resfriar o ar através do resfriamento evaporativo.

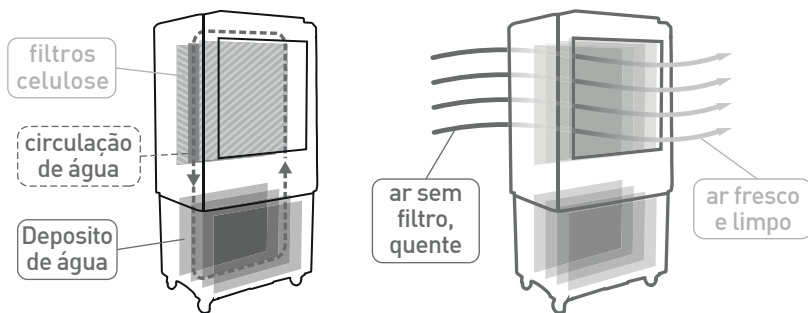
1.3 REFRIGERAÇÃO EVAPORATIVA.



Os condicionadores de ar evaporativos usam o princípio natural da evaporação da água para produzir ar fresco: o ar seco diminui naturalmente sua temperatura se aumentarmos sua umidade. Esse fenômeno é o mesmo que ocorre, por exemplo, nas margens do mar ou de um rio, onde o vento que entra em contato com a água se torna uma brisa capaz de nos refrescar.

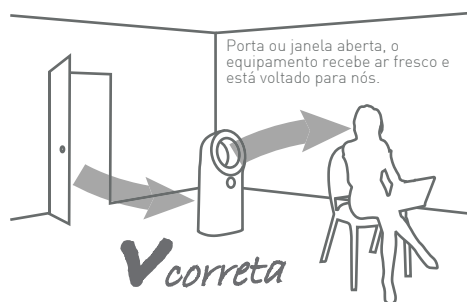
Este princípio é muito interessante porque não é necessário gastar energia para umidificar o ar, mas sim é algo que podemos conseguir naturalmente, e isso faz com que o consumo de energia de um resfriador evaporativo seja equivalente ao de um ventilador.

Os resfriadores evaporativos funcionam passando um fluxo de ar através de filtros de resfriamento, que são embebidos em água e o ar capta a umidade e reduz sua temperatura ao passar por eles. Eles convertem o ar quente e seco em ar mais frio e úmido. Além disso, o fato de filtrarem o ar serve para purificar o ambiente e melhorar a qualidade do ar.



A capacidade de refrigeração deste equipamento dependerá sempre das condições de temperatura e umidade do ambiente. Se a temperatura for alta e a umidade for baixa, obteremos uma maior capacidade de refrigeração. Se a temperatura não for muito alta ou houver muita umidade, o desempenho será menor. De qualquer forma, o uso correto do ar condicionado servirá para atingir a zona de conforto térmico na grande maioria dos casos.

Devemos sempre usar os condicionadores de ar em espaços ventilados, para que o equipamento possa ser constantemente alimentado com ar novo. Devemos também direcionar o fluxo de ar para onde estamos localizados para aproveitar o efeito refrescante produzido pelo ar fresco, por um lado, e pelo ar em movimento, por outro.



Não devemos utilizar este equipamento em salas fechadas, pois obteremos o efeito contrário ao pretendido: o ar ficará saturado de umidade e a sensação de calor e opressão aumentará.



2. RECOMENDAÇÕES GERAIS

Os resfriadores evaporativos funcionam passando um fluxo de ar por filtros de resfriamento, saturados de água, de forma que, ao aumentar a umidade relativa, eles baixam a temperatura. Eles convertem o ar quente e seco em ar frio e úmido. Além disso, o fato de filtrarem o ar serve para purificar o meio ambiente e melhorar a qualidade do ar.

Para obter o máximo de resfriamento e qualidade do ar, considere as seguintes recomendações:



1. Use o equipamento em locais bem ventilados. Se usado em um espaço confinado ou mal ventilado, o desempenho do equipamento pode ser bastante reduzido e será muito difícil baixar a temperatura do ar.



2. Tente colocar o equipamento de costas para uma porta ou janela aberta, de modo que o máximo de ar novo possível que entre na sala passe por nosso equipamento. Isso aumentará o desempenho do equipamento e melhorará a qualidade do ar que respiramos.



3. Mantenha os filtros do equipamento limpos. Quanto mais limpos eles estiverem, mais poder de refrigeração e filtragem de ar nosso equipamento terá.



4. Troque a água do tanque assim que detectar que ela contém sujeira. Parte das partículas transportadas pelo ar que passam pelos filtros podem acabar no tanque de água. O uso de equipamentos com água suja diminui o desempenho, piora a qualidade do ar e pode criar problemas operacionais.



5. Antes de armazenar o equipamento, certifique-se de que os filtros e o reservatório estejam limpos e secos.

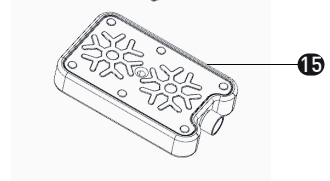
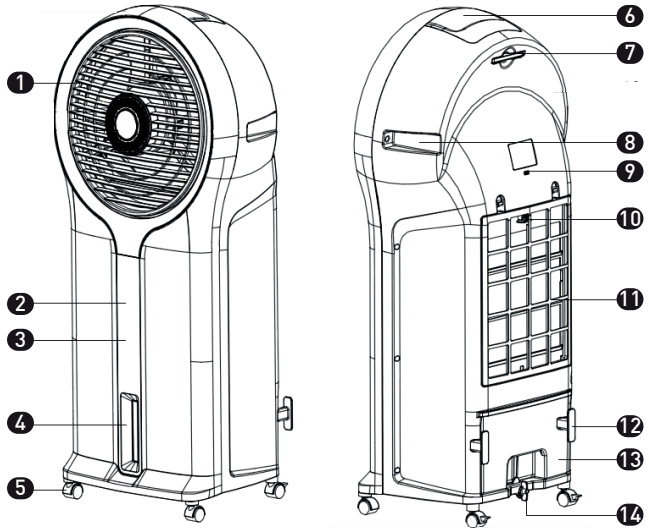


6. Não coloque nenhum líquido no reservatório além de água. A mistura de produtos químicos com água pode colocar em risco a saúde de pessoas, animais e plantas, além de danificar os filtros de resfriamento.

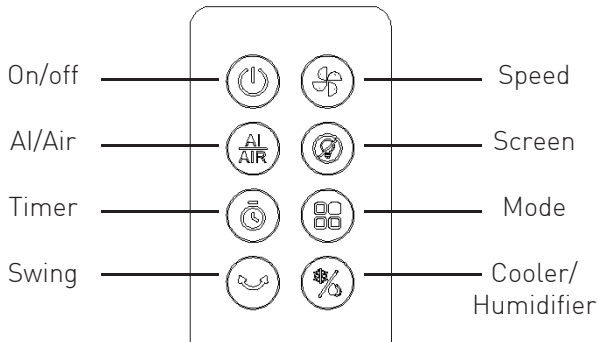
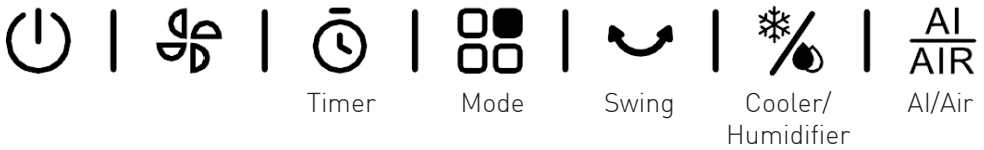
3. COMPONENTES PRINCIPAIS

Componentes principais do dispositivo:

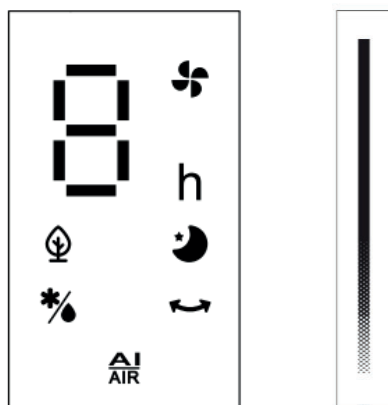
1. ROTOR
2. DISPLAY
3. RECEPTOR DE CONTROLE REMOTO
4. INDICADOR DE NÍVEL DE ÁGUA
5. RODAS
6. PAINEL DE CONTROLE
7. CAIXA DE CONTROLE REMOTO
8. SUPORTE
9. ENTRADA DO DETECTOR DE AR
10. FECHAMENTO DO PRÉ-FILTRO
11. PRÉ-FILTRO
12. SUPORTE DO CABO DE ALIMENTAÇÃO
13. DEPÓSITO DE ÁGUA
14. FECHAMENTO DO DEPÓSITO
15. ICE BOX



Painel de controle e controle remoto:



Led display e indicador de qualidade do ar::



4. ESPECIFICAÇÕES TÉCNICAS

PODER	110 W
MAX FLUXO DE AR	800 m ³ /h
ÁREA DE COBERTURA	12 m ²
VELOCIDADES	3
DEPOSITO DE ÁGUA	5,5 L
DIMENSÕES	29/41/89 cm
PESO	7.3 Kg
VOLTAGEM	220-240 V
FREQUÊNCIA	50 Hz

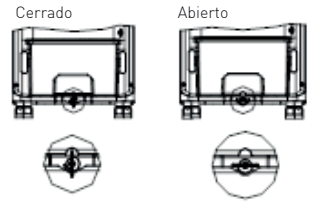
5. PRECAUÇÕES

1. Leia atentamente o manual antes de usar o aparelho.
2. Este produto deve ser usado apenas com fontes de alimentação 220-240 V, 50 Hz.
3. Pare de usar o equipamento imediatamente se funcionar de forma anormal e entre em contato com o centro de serviço técnico. O usuário não deve desmontar ou consertar a máquina.
4. Se o cabo de alimentação estiver danificado, só deve ser substituído pelo fabricante ou centro de serviço.
5. O cabo de alimentação não deve ser arranhado, danificado, dobrado, puxado, torcido ou pressionado com objetos pesados, caso contrário, pode causar choque elétrico, curto-circuito e incêndio.
6. Esta máquina não deve ser colocada em um local acessível a crianças. As crianças não devem usar a máquina. As crianças não devem brincar com o aparelho.
7. Não coloque a mão ou qualquer objeto na saída d'ar ou filtros.
8. A máquina não deve ser colocada em superfícies irregulares, não deixe parafusos ou outros itens diversos no ventilador. Não deve haver cortinas ou algo parecido atrás do ventilador.
9. Não cubra este aparelho quando ele estiver funcionando.
10. Coloque a máquina em uma superfície horizontal para uso, de forma que ela não caia e danifique os componentes internos.
11. Este aparelho é apenas para uso interno ou externo protegido. Proteja o equipamento de pisos molhados, respingos de água, chuva e exposição direta à luz solar.
12. Não use a máquina próximo ao banheiro, piscina ou locais úmidos. Este produto não deve ser imerso em água em nenhuma circunstância.
13. Durante o funcionamento da máquina, é proibido bloquear a saída e a entrada de ar pelo filtro.
14. O nível de água no tanque deve estar sempre entre as marcas MIN e MAX.

15. Não incline ou vire o equipamento. Se isso acontecer com água no interior, desconecte-o imediatamente da rede elétrica. Não conecte-o novamente até que esteja completamente seco.
16. Não permita que a área ao redor do umidificador fique úmida ou molhada. Se houver umidade, diminua a velocidade do umidificador. Se a velocidade do umidificador não puder ser reduzida, use o umidificador intermitentemente. Não permita que materiais absorventes, como tapetes, cortinas ou toalhas de mesa próximos, fiquem úmidos.
17. Mantenha os filtros do aparelho e o tanque de água limpos.
18. Desligue o aparelho durante o enchimento e limpeza.
19. Para prolongar a vida útil do produto, não o utilize em locais extremamente quentes, úmidos ou oleosos e empoeirados, e não o utilize próximo ao fogo ou itens inflamáveis, para evitar incêndio.
20. Nunca deixe água no tanque quando a máquina não estiver em uso. Esvazie, limpe e seque a máquina antes de guardá-la.
21. Esteja ciente de que altos níveis de umidade podem estimular o crescimento de organismos biológicos no meio ambiente.
22. Não engula a bateria, perigo de queimaduras químicas. Se a bateria tipo moeda / botão for engolida, pode causar queimaduras internas graves em apenas 2 horas e causar a morte.
23. Se o compartimento da bateria não fechar com segurança, pare de usar o produto e mantenha-o fora do alcance das crianças.
24. Mantenha as baterias novas e usadas fora do alcance das crianças.
25. O controle remoto deve ser usado corretamente. Evite choques ou imersão em água. Preste atenção à polaridade ao instalar a bateria.
26. As baterias contêm materiais perigosos para o meio ambiente; deve ser removido do aparelho antes da eliminação e eliminado com segurança.

6. INSTRUÇÕES DE USO

1. Enchimento com água: Abra o depósito de água e deite água limpa até o nível de água atingir o máximo indicado no indicador. **Aviso: Não exceda o máximo do medidor de água.**



2. Conecte o equipamento à rede e ele entrará no modo STANDBY.

3. Pressione **ON/OFF** para ligar o equipamento uma vez conectado, ou coloque-o no modo STANDBY se estiver funcionando.

4. Pressione **SPEED** para selecionar a velocidade do vento (1,2 ou 3). Pressione SPEED por 3 segundos. para iniciar o MODO SECAGEM DO FILTRO (o equipamento passa a funcionar na velocidade 3 por 20 minutos). Neste modo, o resto das funções serão desabilitadas, exceto ON/OFF. Pressione SPEED por 3 segundos. novamente para abortar o MODO SECAGEM DO FILTRO (o equipamento funcionará por mais 20 segundos na velocidade 3 e entrará no modo STANDBY).

5. Pressione o botão **COOLER/HUMIDIFIER** para iniciar/parar o resfriamento evaporativo. Ao ativar a função refrigerador, o equipamento não poderá trabalhar na velocidade três pelos próximos 3 minutos. Se o equipamento estiver na velocidade 3, ele descerá para a velocidade 2. Após 3 minutos, qualquer velocidade pode ser selecionada novamente.

6. Pressione **TIMER** para programar o desligamento automático de 1 a 9 h. Uma vez programado, o equipamento mostrará alternadamente no display o tempo restante de operação e a velocidade selecionada.

7. Pressione o botão **SWING** para ativar o balanço horizontal do ar.

8. Pressione **MODE** para selecionar o modo vento:

- Normal: o equipamento trabalha na velocidade selecionada.
- Sleep: o equipamento reduz uma velocidade a cada 30 minutos.
- Natural: o equipamento trabalha na velocidade selecionada imitando correntes de ar naturais.

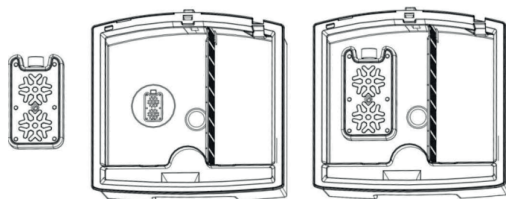
9. Pressione **AI/AIR**, para ligar/desligar a função de detecção da qualidade do ar. Uma vez pressionado AI/AIR, o equipamento demora cerca de 60 segundos no pré-aquecimento do sensor de qualidade do ar (o indicador alternará as cores verde, amarelo e vermelho neste processo). Uma vez em operação, o indicador acenderá em verde para ar limpo, amarelo para qualidade de ar média e vermelho para qualidade de ar ruim.

10. Pressione a tecla **SCREEN** (disponível apenas no controle remoto) com o equipamento em funcionamento para desligar todos os indicadores do display. Com o visor desligado, pressione SCREEN ou qualquer outro botão para ligar o visor. Com o display ligado, pressione qualquer tecla para operar o equipamento. Se o equipamento não for operado por mais de 30 seg. a luz do visor diminuirá até que toquemos em um botão novamente.

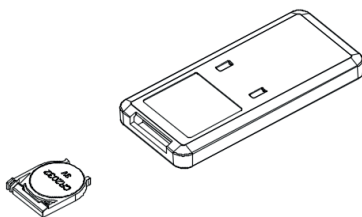
11. **FALTA DE ÁGUA:** se o equipamento estiver trabalhando com o COOLER ligado e detectar falta de água, automaticamente desativará o COOLER para proteger a bomba d'água.

12. **Proteção contra uso prolongado:** o equipamento é programado para parar automaticamente após 15 horas de operação ininterrupta. Você pode desativar/reactivar esta função pressionando SWING por 3 segundos (o equipamento emitirá um bip de confirmação).

13. **ICE BOX:** Para resfriamento extra, insira o ICE BOX congelado no tanque de água no lado indicado do tanque de água.



14. **Controle remoto:** Você deve instalar a bateria (tipo 3V CR2032) no controle remoto antes de poder usá-lo conforme mostrado na figura.



7. LIMPEZA E MANUTENÇÃO

SEMPRE desconecte o cabo de alimentação antes de fazer manutenção.

LIMPEZA DO EQUIPAMENTO:

Limpe a superfície do aparelho com um pano macio e úmido. Não permita que a água caia dentro da máquina.

Observe que a superfície não deve ser polida com lixa, encerada, limpa com gasolina, ácido, álcali, benzeno e outros solventes orgânicos para evitar descoloração e deterioração.

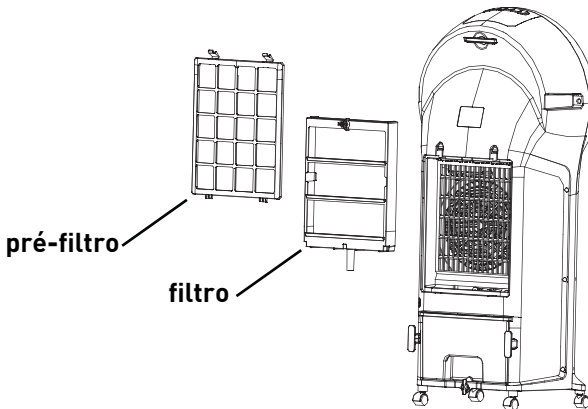
LIMPEZA DO DEPÓSITO DE ÁGUA:

Abra o tanque e esvazie a água. Limpe-o com uma escova ou esponja macia e detergente. **Cuidado: Certifique-se de limpar e desinfetar frequentemente o tanque de água para evitar o possível acúmulo de bactérias ou vírus no tanque de água.**

LIMPEZA DO FILTRO E PRÉ-FILTRO:

Remova o pré-filtro e, em seguida, remova o filtro de resfriamento.

Limpe-os com água e uma escova macia para remover a sujeira. Se necessário, você também pode usar um detergente suave para limpá-los.



8. RESOLUÇÃO DE PROBLEMAS

QUESTÃO	POSSÍVEL CAUSA	SOLUÇÕES
O equipamento não funciona.	Não há corrente elétrica.	Verifique se o cabo de alimentação está conectado. Verifique a fonte de alimentação. Pressione LIGAR/DESLIGAR.
Não há fluxo de ar.	Motor danificado. Bloqueio na grade ou filtros.	Entre em contato com a SAT. Equipamento limpo.
O equipamento não refrigera.	Nível de água baixo. Bomba de água danificada. O filtro está sujo. Há muita umidade no ambiente.	Encha o tanque de água. Entre em contato com a SAT. Equipamento limpo. Você pode usar o computador como um ventilador.
Mau cheiro.	A água ou o filtro estão sujos.	Troque a água ou limpe o equipamento.
Aumenta a sensação de calor na sala.	Não há renovação de ar e a umidade relativa está ficando muito alta.	Certifique-se de que a sala esteja bem ventilada e que o equipamento possa receber ar fresco constantemente.

9. SERVIÇO DE ASSISTÊNCIA TÉCNICA

Na MCONFORT teremos o maior prazer em resolver qualquer incidente que possa ocorrer no seu computador, bem como em esclarecer todas as dúvidas que possam surgir a respeito.

Entre em contato conosco através dos seguintes canais:

e-mail **sat@mconfort.com**
telefone **+34 961 536 720**

10. PROTEÇÃO AMBIENTAL

Graças ao descarte ecologicamente correto, materiais valiosos podem ser reutilizados.

1. Desligue o cabo de ligação à rede.
2. Corte o cabo de conexão de rede.
3. Descarte o dispositivo de acordo com as regulamentações ambientais.



Este aparato está marcado con el símbolo de cumplimiento con la Directiva Europea 2012/19/UE relativa a los aparatos eléctricos y electrónicos usados (Residuos de aparatos eléctricos y electrónicos RAEE). La directiva proporciona el marco general válido en todo el ámbito de la Unión Europea para la retirada y la reutilización de los residuos de los aparatos eléctricos y electrónicos.

11. GARANTIA DO PRODUTO

Período de garantia:

1. A garantia se aplica às linhas de produtos de Resfriadores Evaporativos, Umidificadores, Aquecedores, Tapetes Aquecedores fornecidos sob a marca MCONFORT.
2. O período de garantia é de 2 anos, contados a partir da data de venda.
3. A MCONFORT prestará assistência técnica à sua conveniência no domicílio do cliente, recolherá o equipamento para reparação nas suas instalações ou indicará ao cliente o SAT mais próximo para entrega do equipamento para reparação.

Requisitos para a validade da garantia:

1. Esta garantia aplica-se apenas no território nacional espanhol.
2. O equipamento deve ter sido utilizado de acordo com as instruções detalhadas no manual do usuário.
3. Somente o serviço técnico autorizado MCONFORT pode cobrir a garantia.
4. O documento que valida a garantia e que por sua vez indica o início da mesma será a NOTA FISCAL DE COMPRA.

Cobertura da garantia:

1. Esta garantia não afeta os direitos do usuário de acordo com as disposições da RDL 1/2007.
2. Nos termos do título V da RDL 1/2007, o utilizador terá o direito de exigir do vendedor e / ou do produtor, nos casos previstos em lei, a reparação e / ou substituição do produto.
3. Durante o tempo que o equipamento está sendo reparado, nenhum valor será pago por danos pelo tempo que o equipamento esteve fora de serviço.
4. Não nos responsabilizamos por quaisquer danos que o equipamento possa causar a elementos externos.

Exclusões de garantia:

1. O não cumprimento de algum dos requisitos mencionados anteriormente.
2. Quando o uso dado ao equipamento não for exclusivamente doméstico.
3. A garantia não cobre acessórios ou acessórios adicionados ao equipamento.
4. Demonstrações ou comissionamento de equipamentos.
5. Se a falha for causada por incêndio, inundação, agentes condições climáticas, choque ou aplicação inadequada da fonte de alimentação.
6. Danos por abuso, incluindo danos de transporte, que devem ser reclamados da empresa de transporte. É aconselhável inspecionar as embalagens recebidas na presença do pessoal da transportadora, antes de assinar a guia de aceitação de entrega.
7. Danos causados por quebra física em invólucros ou plásticos.
8. Uso de peças sobressalentes não originais MCONFORT.
9. Falhas causadas por uso indevido.
10. Equipamentos que não tenham o número de série de fabricação ou que tenham sido alterados ou apagados.
11. Quando o equipamento foi manipulado ou reparado por pessoal não autorizado ou não pela MCONFORT.
12. Manutenção e limpeza de equipamentos
13. Falhas causadas por desgaste ou uso normal do equipamento, como filtros ou drenos entupidos.

sat@mconfort.com

+34 961 536 720

C/ Alcalaten nº 16, Polígono Industrial La Cova.
46940 - Manises, Valencia. SPAIN



MCONFORT

mconfort.com