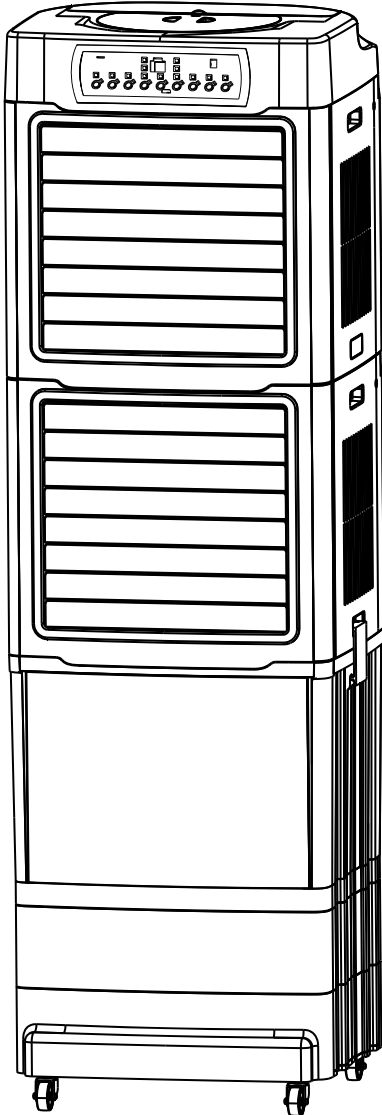




MCONFORT E5000



Manual de Usuario
User's manual
Manuel de l'utilisateur
Manual de usuário

INDEX - ÍNDICE - INDICE - ÍNDICE

1. ENGLISH - USER MANUAL.	01
2. ESPAÑOL - MANUAL DE USUARIO.	15
3. FRANÇAIS - MANUEL DE L'UTILISATEUR.	29
4. PORTUGUÊS - MANUAL DE USUÁRIO	43



Dear Customer:

We want to thank the trust placed in us and welcome you to the comfort and convenience that your MCONFORT device will shortly provide. We remain at your disposal to answer any questions about the characteristics and operation of your equipment. We hope you enjoy the benefits of your MCONFORT device. We are a quality brand that takes care of details and seeks the highest customer's satisfaction.

Yours sincerely:

MCONFORT team

ENG

USER MANUAL - INDEX

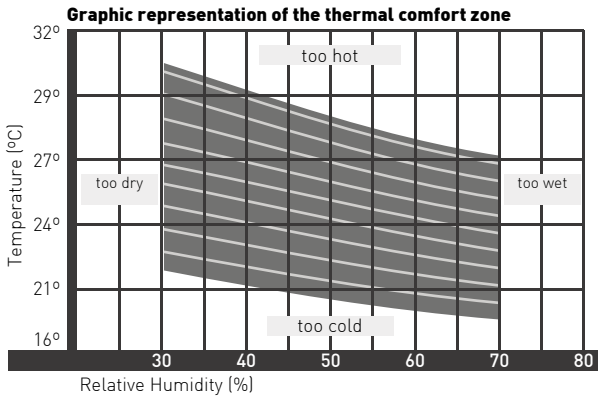
1. Introduction to evaporative cooling	02
2. General recomendations	05
3. Main components	06
4. Technical specifications	07
5. Safety warnings	08
6. Use instructions	10
7. Cleaning and manteinance	11
8. Troubleshooting	12
9. Technical service	13
10. Enviromental protection	13
11. Warranty	14

1. INTRODUCTION TO EVAPORATIVE COOLING

The main target of evaporative air conditioners is to increase the comfort level of any space in a natural and efficient way. In order to get the most out of this type of equipment, you should read this introduction to evaporative cooling.

1.1 THERMAL COMFORT ZONE

Our level of comfort is directly related to the ambient temperature and humidity. In general, we can say that people perceive a sensation of thermal comfort when the environmental conditions are within what we call "thermal comfort zone". This zone corresponds to the temperature range between 18° and 30°C and a relative humidity of between 30 and 70% approximately.



In addition to influencing comfort, humidity and temperature are even capable of influencing factors such as our productivity and our level of attention, so thermal comfort is an element to be taken into account not only in our homes, but in our workspace.

1.2 VENTILATE AND REFRESH. WHY?

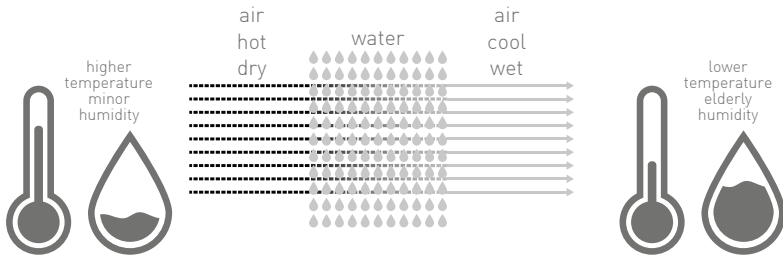
In the hottest months of the year, what usually happens is that we need to lower the air temperature to reach our thermal comfort zone and to achieve this, a very efficient solution is the use of an EVAPORATIVE AIR CONDITIONER, which performs two fundamental tasks: **ventilate and refresh**.

Ventilate: the thermal sensation of the air that surrounds us depends on its speed. That is, a current of air gives us a lower sensation of temperature than calm air.

Sensation of perceived temperature as a function of air speed.								
air speed m/s	Air temperature [°C]							
	25	26	27	28	29	30	31	32
	Equivalent temperature [°C]							
8	22.1	23.5	24.7	26.5	27.8	29.2	29.8	32.2
9	22.1	23.5	24.7	26.5	27.8	29.2	29.8	32.1
10	22.0	23.3	24.5	26.2	27.4	29.0	29.6	31.0
11	22.0	23.2	24.5	26.2	27.4	29.0	29.6	31.0
12	21.9	23.1	24.3	26.0	27.2	28.8	29.4	30.6

That is why on many occasions a simple fan is capable of relieving us from the sensation of heat. But, what if in addition to moving the air, we managed to cool it? This is exactly what an evaporative cooler does! Ventilate and cool the air through evaporative cooling.

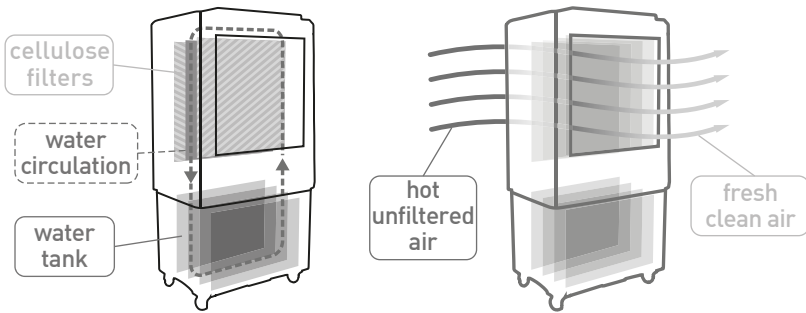
1.3 EVAPORATIVE COOLING.



Evaporative air conditioners use the natural principle of water evaporation to produce fresh air: dry air naturally decreases its temperature if we increase its humidity. This phenomenon is the same that occurs, for example, on the shores of the sea or a river, where the wind that comes into contact with the water becomes a breeze capable of refreshing us.

This principle is very interesting because it is not necessary to spend energy to humidify the air, but rather it is something that we can achieve naturally, and this makes the energy consumption of an evaporative cooler equivalent to that of a fan.

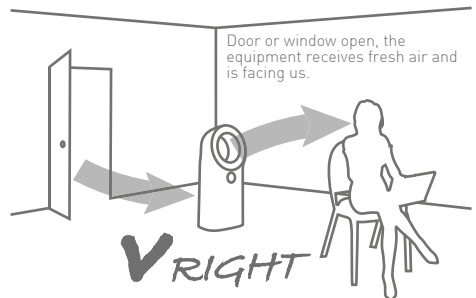
Evaporative coolers work by passing a flow of air through cooling filters, which are soaked with water and the air captures moisture and reduces its temperature as it passes through them. They convert hot, dry air into cooler, more humid air. In addition, the fact that they filter the air serves to purify the environment and improve air quality.



The cooling capacity of this equipment will always depend on the ambient temperature and humidity conditions. If the temperature is high and the humidity is low, we will obtain a greater cooling capacity. If the temperature is not very high or there is a lot of humidity, the performance will be lower. In any case, using the air conditioner correctly will serve to reach the thermal comfort zone in the vast majority of cases.

We must always use the air conditioners in ventilated spaces, so that the equipment can be constantly fed with new air. We must also direct the air flow towards where we are located to take advantage of the refreshing effect produced by fresh air on one hand, and moving air on the other.

We should not use this equipment in closed rooms, since we will obtain the opposite effect: the air will be saturated with humidity and the sensation of heat and overwhelm will increase.



2. GENERAL RECOMENDATIONS

Evaporative coolers work by passing a flow of air through cooling filters, which are saturated with water, so that by increasing their relative humidity they lower air's temperature. They convert hot, dry air into cool, humid air. In addition, the fact that they filter the air serves to purify the atmosphere and improve air quality.

To achieve maximum cooling and air quality, consider the following recommendations:



1. Use the equipment in well-ventilated places. If used in a confined or poorly ventilated space, the performance of the equipment may be greatly reduced and it will be very difficult to lower the air temperature.



2. Try to place the equipment with your back to an open door or window, so that as much new air as possible entering the room passes through our equipment. This will increase the performance of the equipment and improve the quality of the air we breathe.



3. Keep equipment filters clean. The cleaner they are, the more cooling and air filtering power our equipment will have.



4. Change the water in the tank as soon as you detect that it contains dirt. Part of the airborne particles passing through the filters can end up in the water tank. Using equipment with dirty water decreases performance, worsens air quality and can create operational problems.



5. Before storing the equipment, make sure the filters and the reservoir are clean and dry.

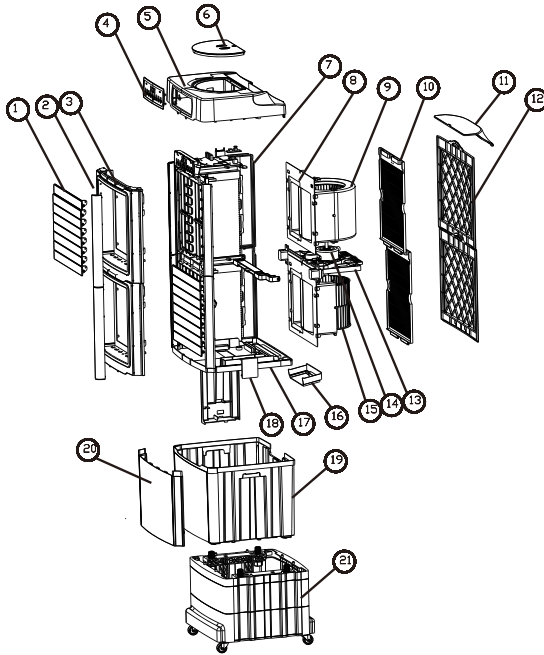


6. Do not put any liquid into the reservoir other than water. Mixing chemicals with water can endanger the health of people, animals and plants, as well as damage the cooling filters.

3. MAIN COMPONENTS

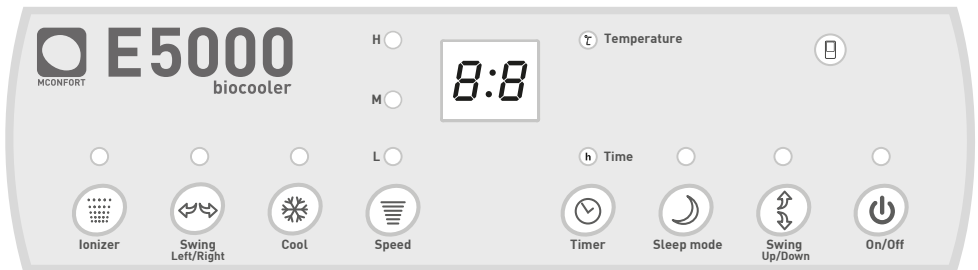
Device main components:

- 1. Horizontal blades.
- 2. Vertical blades.
- 3. Front cover.
- 4. Dashboard.
- 5. Top cover.
- 6. Top flip cover.
- 7. Side cover.
- 8. Bottom fan cover.
- 9. Top fan cover.
- 10. Protective net.
- 11. Filling cover.
- 12. Rear filter.
- 13. Motor support.
- 14. Motor.
- 15. Turbine.
- 16. Water tank cover.
- 17. Water tray.
- 18. Fastener.
- 19. Water tank.
- 20. Trim.
- 21. Bottom bracket.



ENG

Control panel and remote control:



4. TECHNICAL SPECIFICATIONS

POWER	280 W
MAX AIR FLOW	5000 m ³ /h
COVERAGE AREA	60 m ²
SPEEDS	4
WATER TANK	45 L
DIMENSIONS	47/38/155 cm
WEIGHT	23,2 Kg
RATED VOLTAGE	220 V
FREQUENCY	50 Hz

ENG

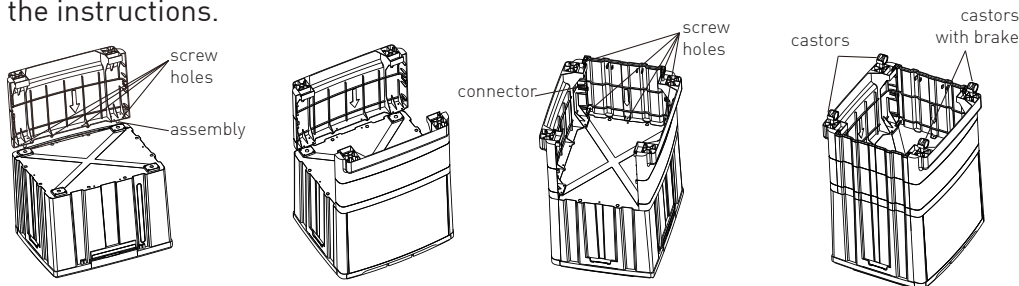
5. SAFETY WARNINGS

1. Please read user's manual carefully before use.
2. This product is only applicable to 220-, 50 Hz, AC power supply.
3. Stop operating this air cooler immediately if it works abnormally and contact technical service center. User must not unassemble or repair the machine.
4. If the power cord is damaged, it must be replaced only by the manufacturer or technical service center.
5. The power cord shall not be scratched, damaged, over bent, pulled, twisted, or pressed with heavy objects, otherwise it may cause electric shock, short circuit and fire.
6. This machine must not be placed in a place accessible to children. Children must not use the machine. Children shall not play with the appliance.
7. Please do not insert your hand or any object into air outlet, or filters.
8. The machine should not be placed in uneven surfaces, do not leave screws or other miscellaneous items in the fan. There should be no curtains or anything like that behind the fan.
9. Do not cover this appliance when its working.
10. Please place the machine on a horizontal surface for use, so as not to fall down and damage the internal components.
11. This appliance is for indoor or protected outdoor use only. Protect the equipment from wet floors, splashes of water, rain, and direct exposure to sunlight.
12. Do not use the machine around the bathroom, swimming pool or wet places. This product should not be immersed in water under any circumstances.
13. When the machine is running, it is forbidden to block the air outlet and the air inlet through the filter part.
14. Do not permit the area around the humidifier to become damp or wet. If dampness occurs, turn the output of the humidifier down. If the humidifier output volume cannot be turned down, use the humidifier intermittently. Do not allow absorbent materials, such as carpeting, curtains, drapes, or tablecloths, to become damp.

15. The water level in the tank must always be between the MIN and MAX marks.
16. Do not tip or overturn the equipment. If this happens with water inside, immediately disconnect it from the electrical network. Do not plug it back in until it is completely dry.
17. Please keep the device filters and water tank clean.
18. Unplug the appliance during filling and cleaning.
19. In order to prolong the product life, please do not use it in extremely hot, damp or places with oil and dust, and do not use it beside the fire or inflammable articles, so as to avoid fire.
20. Never leave water in the tank when the machine is not in use. Empty, clean and dry the machine before storage.
21. Be aware that high humidity levels may encourage the growth of biological organisms in the environment.
22. Do not ingest battery, Chemical Burn Hazard. If the coin / button cell battery is swallowed, it can cause severe internal burns in just 2 hours and can lead to death.
23. If the battery compartment does not close securely, stop using the product and keep it away from children.
24. Keep new and used batteries away from children.
25. The remote controller should be used properly. Avoid shocks or water immersion. Pay attention to the polarity when installing the battery.
26. The batteries contain materials which are hazardous to the environment; they must be removed from the appliance before it is scrapped and be disposed of safely.

6. USE INSTRUCTIONS

1. Take the equipment out of its packaging and assemble the base according to the instructions.



1. Install the front and rear sections of the bracket first and fix them with screws.

2. Repeat the same operation for the lateral sections.

3. Install the wheels by inserting them into the corresponding holes. The wheels with brakes will be located at the front and those without brakes at the rear.

2. Fill the water tank so that the water level is always between the MIN and MAX marks.

3. Please plug the power cord with dry hands and make sure it is well connected. The equipment will enter STANDBY mode.

4. Press ON/OFF to turn on the machine. The display will show the temperature and the equipment will start to work at low speed. If you press ON/OFF again, the equipment will return to STANDBY mode. It is convenient to turn off the COOL mode 15 min. before turning off the equipment so that the cooling filters can dry.

5. Press the SPEED button: the wind speed will change from low to medium, high or strong. When starting the engine it has a delay of 5 seconds.

6. Press SLEEP to activate/deactivate SLEEP MODE.

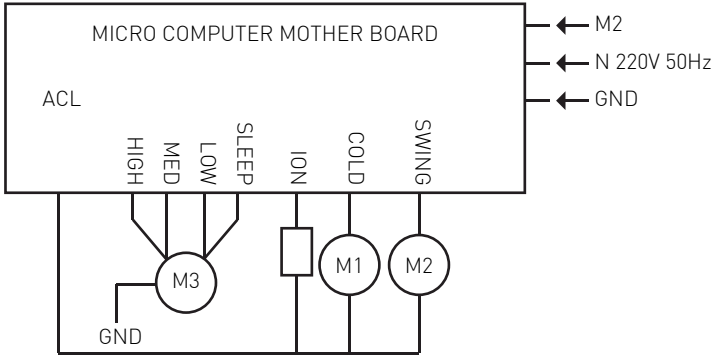
7. Press TIMER to activate/deactivate the equipment shutdown timer between 1 and 24h.

8. Press SWING UP/DOWN or SWING LEFT/RIGHT to activate/deactivate the automatic swing of the horizontal or vertical louvers.

9. Press the COOL button to start evaporative cooling. If you do not press COOL, the equipment works as a fan. If the water tank is low on water, the equipment will give an audible alarm and the COOL mode will stop.

10. Press IONIZER to turn negative ion generation on/off. The ionizer helps purify the air.

11. Electrical diagram.



ENG

7. CLEANING AND MAINTENANCE

1. Please unplug the power plug before maintenance.
2. Wipe the surface of the machine with a soft wet cloth and dry it with a dry cloth. Do not let water drop into the interior of the machine.
3. Note that the surface shall not be polished with sandpaper, waxed, cleaned with gasoline, acid, alkali, benzene and other organic solvents to prevent discoloration and deterioration.
4. When not in use, please clean as above and put it into the original carton, and store it in a cool, dry and ventilated place.

8. TROUBLESHOOTING

PROBLEM	POSSIBLE CAUSE	SOLUTIONS
Device does not work.	There is no electrical current.	Check that the power cord is plugged in. Check the power supply. Press ON/OFF.
There is no air flow.	Damaged engine. Blockage in the grid or filters.	Contact Technical Service. Clean equipment.
Device isn't cooling.	Low water level. Damaged water pump. The filter is dirty. There is too much humidity in the environment.	Fill the water tank. Contact Technical Service. Clean equipment. You can use the computer as a fan.
Bad smell.	The water or the filter is dirty.	Change water or clean equipment.
Increasing hot sensation in the room.	There is no air renewal and the relative humidity is getting too high.	Make sure that the room is well ventilated and the equipment can constantly receive fresh air.

ENG

9. TECHNICAL SERVICE

In MCONFORT we will be happy to solve any incident that may occur in your device, as well as to solve all the doubts that may arise regarding it.

Please contact us through the following channels:

e-mail **sat@mconfort.com**
telephone **+34 961 536 720**

ENG

10. ENVIRONMENTAL PROTECTION

Thanks to environmentally friendly disposal, valuable materials can be reused.

1. Unplug the network connection cable from the socket.
2. Cut the network connection cable.
3. Dispose of the device in accordance with environmental regulations.



This appliance is marked with the symbol of compliance with the European Directive 2012/19 /EU on used electrical and electronic equipment (Waste electrical and electronic equipment WEEE). The directive provides the general framework valid throughout the European Union for the removal and reuse of waste electrical and electronic equipment.

11. PRODUCT WARRANTY

Warranty period:

1. The guarantee applies to the product lines of Evaporative Coolers, Humidifiers, Dehumidifiers, Heaters, Heating Mats supplied under the MCONFORT brand.
2. The warranty period is 2 years, counted from the date of sale.
3. MCONFORT will provide technical assistance at the customer's home at its convenience, or will collect the equipment for repair at the company's facilities.

Requirements for the validity of the guarantee:

1. This guarantee applies only in the Spanish national territory.
2. The equipment must have been used in accordance with the instructions detailed in the user manual.
3. Only the MCONFORT authorized technical service can cover the guarantee.
4. It is essential that the user or the selling establishment fill in the equipment and customer data on this warranty card.

Warranty coverage:

1. This guarantee does not affect the rights of the user in accordance with the provisions of RDL 1/2007.
2. In accordance with title V of RDL 1/2007, the user will have the right to demand from the seller, and / or the producer, in the cases determined by law, the repair and / or replacement of the product.
3. During the time the equipment is being repaired, no amount will be paid for damages for the time the equipment has been out of service.
4. We are not responsible for any damage that the equipment may cause to external elements.

Warranty Exclusions:

1. Failure to comply with any of the previously mentioned requirements.
2. When the use that has been given to the equipment was not exclusively domestic.
3. The warranty does not cover accessories or accessories added to the equipment.
4. Demonstrations or commissioning of equipment.
5. If the fault is caused by fire, flood, agents.
weather conditions, shock or improper power supply application.
6. Damages due to abuse, including transport damages, which must be claimed from the transport company. It is advisable to inspect the packages received in the presence of the personnel of the transport company, before signing the delivery note of acceptance.
7. Damages caused by physical breakage in casings or plastics.
8. The use of non-original MCONFORT spare parts.
9. Faults caused by misuse.
10. Equipment that does not bear the manufacturing serial number, or that has been altered or erased.
11. When the equipment has been manipulated or repaired by personnel other than or not authorized by MCONFORT.
12. Maintenance and cleaning of equipment
13. Failures caused by wear or normal use of the equipment, such as clogged filters or drains.



Estimado Cliente:

Queremos agradecerle la confianza depositada en nosotros y darle la bienvenida a la comodidad y confort que en breve le brindará su equipo MCONFORT. Quedamos a su disposición para resolver cualquier duda o pregunta sobre las características y funcionamiento de su equipo. Esperamos que disfrute de los beneficios de su equipo MCONFORT, una marca de calidad que cuida los detalles y busca la mayor satisfacción para sus clientes.

Le saluda atentamente:

el equipo MCONFORT

ESP

MANUAL DE USUARIO - ÍNDICE

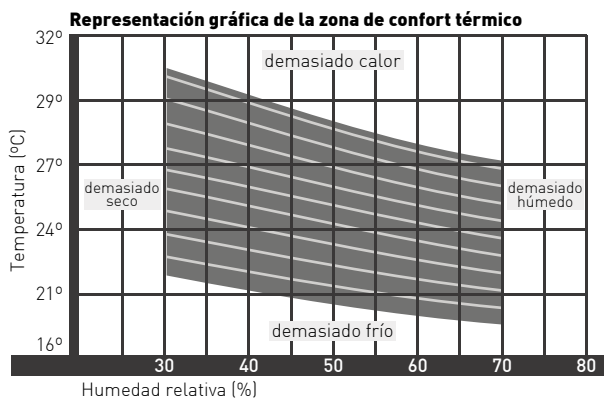
1. Introducción al enfriamiento evaporativo	16
2. Recomendaciones generales	19
3. Componentes principales	20
4. Especificaciones técnicas	21
5. Precauciones	22
6. Instrucciones de uso	24
7. Limpieza y mantenimiento	25
8. Resolución de problemas	26
9. Servicio técnico	27
10. Protección del medio ambiente	27
11. Garantía	28

1. INTRODUCCIÓN AL ENFRIAMIENTO EVAPORATIVO

El principal objetivo de los climatizadores evaporativos es aumentar el nivel de confort de cualquier espacio de forma natural y eficiente. Para poder sacar el máximo rendimiento de este tipo de equipos, conviene leer esta introducción al enfriamiento evaporativo.

1.1 ZONA DE CONFORT TÉRMICO

Nuestro nivel de confort está directamente relacionado con la temperatura y la humedad ambientales. De forma general, podemos decir que las personas perciben una sensación de confort térmico cuando las condiciones ambientales están dentro de lo que llamamos "zona de confort térmico". Esta zona se corresponde con el intervalo de temperatura de entre 18° y 30°C y una humedad relativa de entre el 30 y el 70% aproximadamente.



Además de influir en el confort, la humedad y la temperatura son capaces de influir incluso en factores como nuestra productividad y nuestro nivel de atención, por lo que el confort térmico es un elemento muy a tener en cuenta no sólo en nuestros hogares, sino en nuestro espacio de trabajo.

1.2 VENTILAR Y REFRESCAR. ¿POR QUÉ?

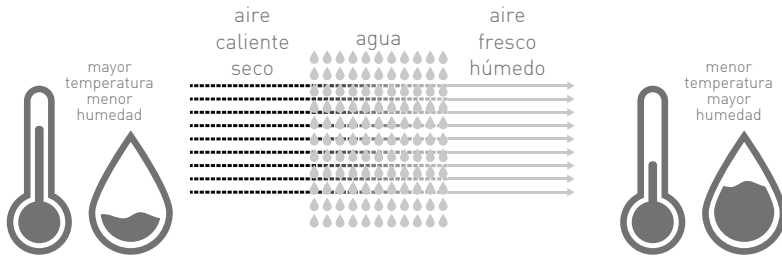
En los meses más cálidos del año lo que suele ocurrir es que necesitamos rebajar la temperatura del aire para llegar a nuestra zona de confort térmico y para conseguirlo, una solución muy eficiente es el uso de un CLIMATIZADOR EVAPORATIVO, que realiza dos tareas fundamentales: **ventilar y refrescar**.

Ventilar: la sensación térmica del aire que nos rodea depende de la velocidad del mismo. Es decir, una corriente de aire nos da una menor sensación de temperatura que un aire en calma.

Sensación de temperatura percibida en función de la velocidad del aire.								
velocidad del aire m/s	Température de l'air (°C)							
	25	26	27	28	29	30	31	32
	Temperatura equivalente (°C)							
8	22.1	23.5	24.7	26.5	27.8	29.2	29.8	32.2
9	22.1	23.5	24.7	26.5	27.8	29.2	29.8	32.1
10	22.0	23.3	24.5	26.2	27.4	29.0	29.6	31.0
11	22.0	23.2	24.5	26.2	27.4	29.0	29.6	31.0
12	21.9	23.1	24.3	26.0	27.2	28.8	29.4	30.6

Por eso en muchas ocasiones un simple ventilador es capaz de aliviarnos la sensación de calor. Pero, **¿y si además de mover el aire, conseguimos enfriarlo?** ¡Esto es exactamente lo que hace un climatizador evaporativo! Ventilar y refrescar el aire a través del enfriamiento evaporativo.

1.3 ENFRIAMIENTO EVAPORATIVO.

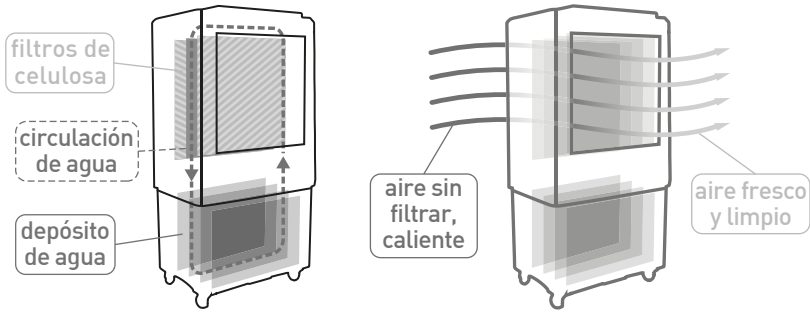


ESP

Los climatizadores evaporativos utilizan el principio natural de evaporación del agua para producir aire fresco: el aire seco disminuye su temperatura de forma natural si aumentamos su humedad. Este fenómeno es el mismo que se da por ejemplo en las orillas del mar o de un río, donde el viento entra en contacto con el agua y se convierte en una brisa capaz de refrescarnos.

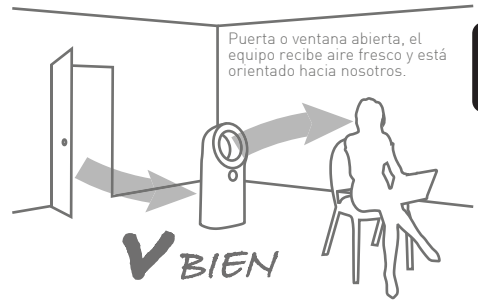
Este principio es muy interesante debido a que no es necesario gastar energía para humedecer el aire, sino que es algo que podemos conseguir de forma natural, y esto hace que el consumo energético de un enfriador evaporativo sea equivalente al de un ventilador.

Los climatizadores evaporativos funcionan haciendo pasar un flujo de aire por unos filtros de enfriamiento, que están empapados de agua y el aire capta humedad y reduce su temperatura al atravesarlos. Convierten el aire caliente y seco en aire más fresco y más húmedo. Además, el hecho de que filtren el aire sirve para purificar el ambiente y mejorar la calidad del aire.



La capacidad de enfriamiento de estos equipos siempre dependerá de las condiciones de temperatura y humedad ambientales. Si la temperatura es alta y la humedad baja, obtendremos una mayor capacidad de enfriamiento. Si la temperatura no es muy alta o existe mucha humedad, el rendimiento será menor. En cualquier caso, usar correctamente el climatizador servirá para alcanzar la zona de confort térmico en la gran mayoría de las ocasiones.

Debemos usar siempre los climatizadores en espacios ventilados, para que el equipo pueda alimentarse constantemente de aire nuevo. También debemos orientar el chorro de aire hacia donde estemos situados para aprovechar el efecto refrescante que produce por una parte el aire fresco, y por otra el aire en movimiento.



No debemos usar estos equipos en estancias cerradas, ya que obtendremos el efecto contrario al buscado: el aire se saturará de humedad y aumentará la sensación de calor y agobio.



2. RECOMENDACIONES GENERALES

Los enfriadores evaporativos funcionan haciendo pasar un flujo de aire por unos filtros de enfriamiento, que están saturados de agua, de forma que al aumentar su humedad relativa rebajan su temperatura. Convierten el aire caliente y seco en aire fresco y húmedo. Además, el hecho de que filtren el aire sirve para purificar el ambiente y mejorar la calidad del aire.

Para conseguir el máximo enfriamiento y calidad del aire, tenga en cuenta las siguientes recomendaciones:



1. Utilice el equipo en lugares bien ventilados. Si se usa en un espacio cerrado o con poca ventilación, el rendimiento del equipo puede reducirse considerablemente y será muy difícil rebajar la temperatura del aire.



2. Trate de colocar el equipo de espaldas a una puerta o ventana abiertas, de forma que la mayor parte posible de aire nuevo que entra en la estancia pasa por nuestro equipo. Esto aumentará el rendimiento del equipo y mejorará la calidad del aire que respiramos.



3. Mantenga limpios los filtros del equipo. Cuanto más limpios se encuentren, mayor poder de enfriamiento y filtrado de aire tendrá nuestro equipo.



4. Cambie el agua del depósito en cuanto detecte que contiene suciedad. Parte de las partículas del aire al pasar por los filtros pueden terminar en el depósito de agua. Usar el equipo con agua sucia, disminuye su rendimiento, empeora la calidad del aire y puede crear problemas de funcionamiento.



5. Antes de guardar el equipo, asegúrese de que los filtros y el depósito están limpios y secos.

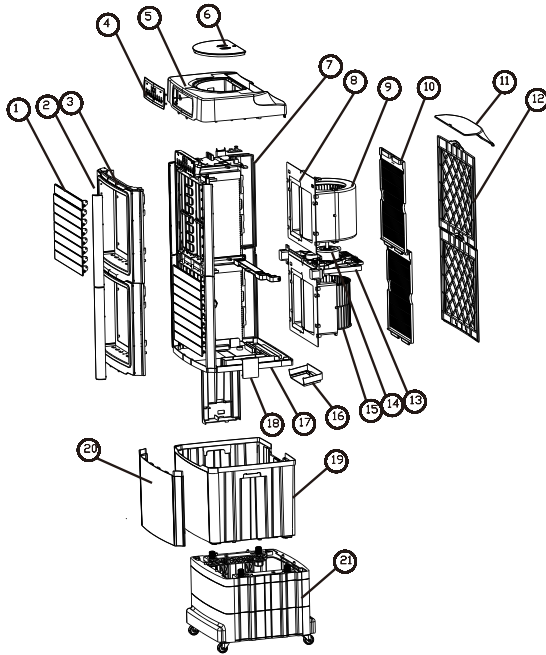


6. No introduzca ningún líquido en el depósito que no sea agua. Mezclar productos químicos con el agua puede poner en riesgo la salud de las personas, animales y plantas, así como deteriorar los filtros de enfriamiento.

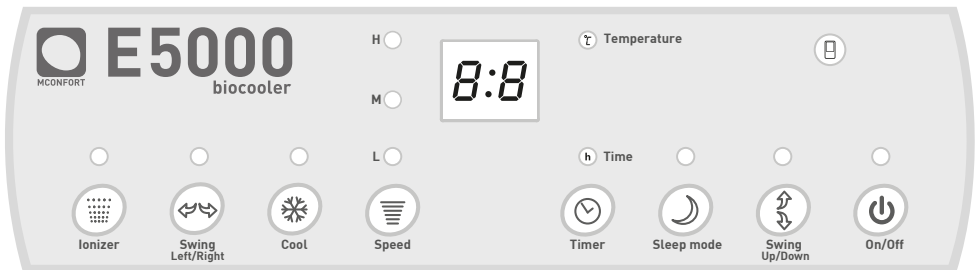
3. COMPONENTES PRINCIPALES

Componentes principales del dispositivo:

1. Lamas horizontales.
2. Lamas verticales.
3. Cubierta frontal.
4. Panel de control.
5. Cubierta superior.
6. Tapa abatible superior.
7. Cubierta lateral.
8. Cubierta trasera ventilador.
9. Cubierta superior ventilador.
10. Malla protectora.
11. Trampilla de llenado.
12. Filtro trasero.
13. Soporte motor.
14. Motor.
15. Turbina.
16. Tapa depósito de agua.
17. Bandeja de agua.
18. Cierre.
19. Depósito de agua.
20. Embellecedor.
21. Soporte inferior.



Panel de control y mando a distancia :



ESP

4. ESPECIFICACIONES TÉCNICAS

POTENCIA	280 W
MAX CAUDAL AIRE	5000 m ³ /h
ÁREA DE COBERTURA	60 m ²
VELOCIDADES	4
DEPÓSITO DE AGUA	45 L
DIMENSIONES	47/38/155 cm
PESO	23,2 Kg
VOLTAJE	220 V
FRECUENCIA	50 Hz

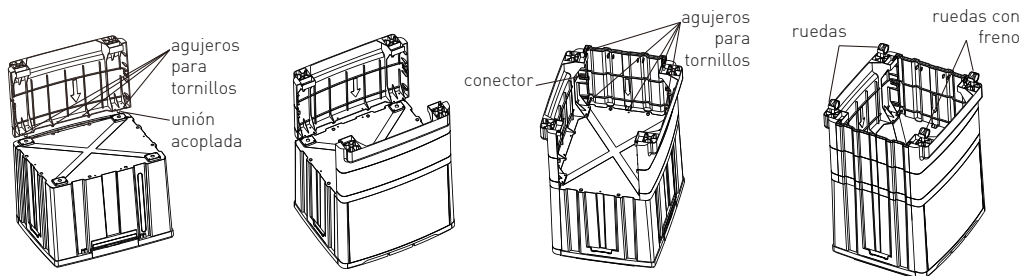
5. PRECAUCIONES

1. Lea detenidamente el manual antes de usar el aparato.
2. Este producto sólo debe usarse con fuentes de alimentación de CA de 220 V, 50 Hz.
3. Deje de usar el equipo inmediatamente si funciona anormalmente y contacte centro de servicio técnico. El usuario no debe desmontar ni reparar la máquina.
4. Si el cable de alimentación está dañado, solo debe ser reemplazado por el fabricante o el centro de servicio técnico.
5. El cable de alimentación no se debe rayar, dañar, doblar, tirar, torcer ni presionar con objetos pesados, de lo contrario puede causar descargas eléctricas, cortocircuitos e incendios.
6. Esta máquina no debe colocarse en un lugar accesible para los niños. Los niños no deben utilizar la máquina. Los niños no deben jugar con el aparato.
7. No introduzca la mano ni ningún objeto en la salida de aire ni en los filtros.
8. La máquina no debe colocarse en superficies irregulares, no deje tornillos u otros elementos diversos en el ventilador. No debe haber cortinas ni nada por el estilo detrás del ventilador.
9. No cubra este aparato cuando esté funcionando.
10. Coloque la máquina sobre una superficie horizontal para su uso, de modo que no se caiga y dañe los componentes internos.
11. Este aparato es solo para uso interior o exterior protegido. Proteja el equipo de suelos mojados, salpicaduras de agua, lluvia, y exposición directa al sol.
12. No utilice la máquina alrededor del baño, piscina o lugares húmedos. Este producto no debe sumergirse en agua bajo ninguna circunstancia.
13. Cuando la máquina está funcionando, está prohibido bloquear la salida de aire y la entrada de aire a través de la parte del filtro.
14. El nivel de agua del depósito debe estar siempre entre las marcas de MIN y MAX.

- 15.No incline ni vuelque el equipo. Si esto ocurre con agua en su interior desconéctelo inmediatamente de la red eléctrica. No vuelva a conectarlo hasta que esté completamente seco.
- 16.No permita que el área alrededor del humidificador se humedezca o se moje. Si se produce humedad, baje la velocidad del humidificador. Si no se puede bajar la velocidad del humidificador, utilice el humidificador de forma intermitente. No permita que los materiales absorbentes, como alfombras, cortinas o manteles cercanos, se humedezcan.
- 17.Mantenga limpios los filtros del dispositivo y el depósito de agua.
- 18.Desenchufe el aparato durante el llenado y la limpieza.
- 19.Para prolongar la vida útil del producto, no lo use en lugares extremadamente calientes, húmedos o con aceite y polvo, y no lo use junto al fuego o artículos inflamables, para evitar incendios.
- 20.Nunca deje agua en el tanque cuando la máquina no esté en uso. Vacíe, limpie y seque la máquina antes de guardarla.
- 21.Tenga en cuenta que los niveles altos de humedad pueden estimular el crecimiento de organismos biológicos en el medio ambiente.
- 22.No ingiera la batería, peligro de quemaduras químicas. Si se traga la pila tipo moneda / botón, puede provocar quemaduras internas graves en solo 2 horas y provocar la muerte.
- 23.Si el compartimento de la batería no se cierra de forma segura, deje de usar el producto y manténgalo alejado de los niños.
- 24.Mantenga las baterías nuevas y usadas fuera del alcance de los niños.
- 25.El mando a distancia debe utilizarse correctamente. Evite golpes o inmersión en agua. Preste atención a la polaridad al instalar la batería.
- 26.Las baterías contienen materiales que son peligrosos para el medio ambiente; deben retirarse del aparato antes de desecharlo y eliminarse de forma segura.

6. INSTRUCCIONES DE USO

1. Saque el equipo de su embalaje y ensámblela base siguiendo las instrucciones.



1.1. Instale primero los tramos frontal y trasero del soporte y fíjelos mediante tornillos.

1.2. Repita la misma operación para los tramos laterales.

1.3. Instale las ruedas introduciéndolas en los agujeros correspondientes. Las ruedas con freno se situarán en la parte delantera y las que no tienen freno en la parte trasera.

2. Rellene el depósito de agua de modo que el nivel de agua se encuentre siempre entre las marcas MIN y MAX.

3. Conecte la alimentación con las manos secas y asegúrese de que está bien conectado. El equipo entrará en modo STANDBY.

4. Presione ON/OFF para encender la máquina. El display mostrará la temperatura y el equipo comenzará a funcionar a velocidad baja. Si vuelve a presionar ON/OFF el equipo volverá al modo STANDBY. Conviene apagar el modo COOL 15 min. antes de apagar el equipo para que los filtros de enfriamiento puedan secarse.

5. Presione el botón SPEED: la velocidad del viento cambiará de baja a media, alta o fuerte. Al arrancar el motor tiene un desfase de 5 segundos.

6. Presione SLEEP para activar/desactivar el MODO SLEEP.

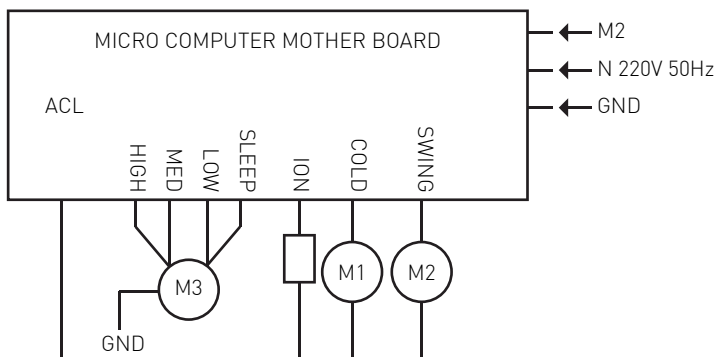
7. Presione TIMER para activar/desactivar el temporizador de apagado del equipo entre 1 y 24h.

8. Presione SWING UP/DOWN o SWING LEFT/RIGHT para activar/desactivar la oscilación automática de las lamas horizontales o verticales.

9. Presione el botón COOL para iniciar el enfriamiento evaporativo. Si no presiona COOL el equipo funciona como un ventilador. Si el depósito de agua tiene poco agua, el equipo emitirá una alarma sonora y el modo COOL se detendrá.

10. Presione IONIZER para activar/desactivar la generación de iones negativos. El ionizador ayuda a purificar el aire.

11. Diagrama eléctrico.



7. LIMPIEZA Y MANTENIMIENTO

ESP

1. Desenchufe el cable de alimentación antes del mantenimiento.
2. Limpie la superficie del aparato con un paño suave húmedo y séquelo con un paño seco. No permita que caiga agua en el interior de la máquina.
3. Tenga en cuenta que la superficie no se debe pulir con papel de lija, encerar, limpiar con gasolina, ácido, álcali, benceno y otros disolventes orgánicos para evitar la decoloración y el deterioro.
4. Cuando no esté en uso, límpielo como se indica arriba, colóquelo en la caja original y guárdelo en un lugar fresco, seco y ventilado.

8. SOLUCIÓN DE PROBLEMAS

PROBLEMA	POSIBLE CAUSA	SOLUCIONES
El equipo no funciona.	No llega corriente eléctrica.	Verifique que el cable de alimentación está enchufado. Verifique la fuente de alimentación. Presione ON/OFF.
No hay caudal de aire.	Motor dañado. Atasco en la rejila o los filtros.	Contacte con SAT. Limpie el equipo.
El equipo no enfría.	Nivel de agua bajo. Bomba de agua dañada. El filtro está sucio. Hay demasiada humedad en el ambiente.	Rellene el depósito de agua. Contacte con SAT. Limpie el equipo. Puede usar el equipo como ventilador.
Mal olor.	El agua o el filtro están sucios.	Cambie el agua o limpie el equipo.
Aumenta la sensación de calor en la estancia.	No hay renovación de aire y la humedad relativa está aumentando demasiado.	Asegúrese de que la estancia está bien ventilada y el equipo puede recibir aire nuevo constantemente.

ESP

9. SERVICIO DE ASISTENCIA TÉCNICA

En MCONFORT estaremos encantados de solucionar cualquier incidencia que pueda darse en su equipo, así como de resolver todas las dudas que pudieran surgirle respecto al mismo.

Por favor, no dude en ponerse en contacto con nosotros a través de los siguientes canales:

e-mail **sat@mconfort.com**
telephone **+34 961 536 720**

10. PROTECCIÓN MEDIOAMBIENTAL

ESP

Gracias a la eliminación respetuosa con el medio ambiente pueden reutilizarse materiales valiosos.

1. Desenchufe el cable de conexión de red eléctrica.
2. Corte el cable de conexión de red.
3. Deseche el dispositivo de acuerdo con las regulaciones ambientales.



Este aparato está marcado con el símbolo de cumplimiento con la Directiva Europea 2012/19/UE relativa a los aparatos eléctricos y electrónicos usados (Residuos de aparatos eléctricos y electrónicos RAEE). La directiva proporciona el marco general válido en todo el ámbito de la Unión Europea para la retirada y la reutilización de los residuos de los aparatos eléctricos y electrónicos.

11. GARANTÍA DE PRODUCTO

Periodo de la garantía:

1. La garantía se aplica a las líneas de producto de Enfriadores Evaporativos, Humidificadores, Deshumidificadores, Calefactores, Alfombras Calefactoras suministrados bajo la marca MCONFORT.
2. El periodo de garantía es de 2 años, computados desde la fecha de venta.
3. MCONFORT prestará a su conveniencia la asistencia técnica en el domicilio del cliente, o recogerá el equipo para repararlo en las instalaciones de la empresa.

Requisitos para la validez de la garantía:

1. La presente garantía se aplica únicamente en el territorio nacional español.
2. El equipo ha debido ser utilizado de conformidad con las instrucciones que se detallan en el manual de usuario.
3. Únicamente puede cubrir la garantía el servicio técnico autorizado MCONFORT.
4. Es imprescindible que el usuario o el establecimiento vendedor cumplimente los datos del equipo y el cliente en esta tarjeta de garantía.

Coberturas de la garantía:

1. La presente garantía no afecta a los derechos de que dispone el usuario conforme a lo previsto en el RDL 1/2007.
2. De acuerdo con el título V del RDL 1/2007, el usuario tendrá derecho a exigir al vendedor, y/o al productor en los casos determinados por la ley, la reparación y/o sustitución del producto.
3. Durante el tiempo que dure la reparación del equipo, no se abonará cantidad alguna por daños y perjuicios por el tiempo que el equipo haya estado fuera de servicio.
4. No nos hacemos responsables de los daños que el equipo pueda causar a elementos externos.

Exclusiones de la garantía:

1. El incumplimiento de cualquiera de los requisitos citados previamente.
2. Cuando el uso que se le haya dado al equipo no fuera exclusivamente el doméstico.
3. La garantía no cubre accesorios o complementos añadidos al equipo.
4. Las demostraciones o puesta en marcha de equipos.
5. Si la avería es producida por incendio, inundación, agentes meteorológicos, golpeo o aplicación de suministro eléctrico inadecuado.
6. Los daños por maltrato, incluidos los de transporte, que deberán ser reclamados a la compañía de transporte. Conviene inspeccionar los paquetes recibidos en presencia del personal de la compañía de transportes, antes de firmar el albarán de conformidad de la recepción.
7. Las averías producidas por rotura física en carcasas o plásticos.
8. La utilización de recambios no originales de MCONFORT.
9. Las averías provocadas por mal uso.
10. Los equipos que no lleven el número de serie de fabricación, o que este haya sido alterado o borrado.
11. Cuando el equipo haya sido manipulado o reparado por personal ajeno o no autorizado por MCONFORT.
12. Los trabajos de mantenimiento y limpieza de los equipos
13. Las averías producidas por desgaste o uso normal del equipo, como obstrucción de filtros o desagües.



Cher client:

Nous tenons à vous remercier pour la confiance que vous nous accordez et vous souhaitons la bienvenue dans le confort et la commodité que votre équipement MCONFORT vous offrira prochainement. Nous restons à votre disposition pour répondre à tout doute ou question sur les caractéristiques et le fonctionnement de votre équipement. Nous espérons que vous apprécierez les avantages de votre équipement MCONFORT, une marque de qualité qui prend soin des détails et recherche la plus grande satisfaction de ses clients.

Cordialement:

L'équipe MCONFORT

MANUEL D'UTILISATION - INDEX

FR

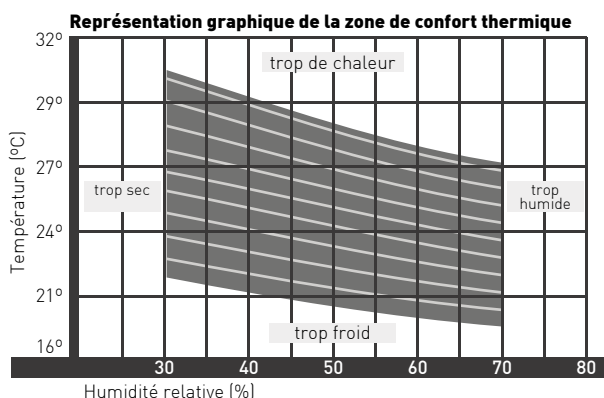
1. Introduction au refroidissement par évaporation	30
2. Recommandations générales	33
3. Principaux composants	34
4. Spécifications techniques	35
5. Précautions	36
6. Mode d'emploi	38
7. Nettoyage et entretien	39
8. Dépannage	40
9. Service technique	41
10. Protection de l'environnement	41
11. Garantie	42

1. INTRODUCTION AU REFROIDISSEMENT ÉVAPORATIF

L'objectif principal des climatiseurs évaporatifs est d'augmenter le niveau de confort de n'importe quel espace de manière naturelle et efficace. Afin de tirer le meilleur parti de ce type d'équipement, vous devriez lire cette introduction au refroidissement par évaporation.

1.1 ZONE DE CONFORT THERMIQUE

Notre niveau de confort est directement lié à la température et à l'humidité ambiantes. De manière générale, on peut dire que les gens perçoivent une sensation de confort thermique lorsque les conditions environnementales se situent dans ce que l'on appelle la « zone de confort thermique ». Cette zone correspond à la plage de température comprise entre 18° et 30°C et une humidité relative comprise entre 30 et 70% environ.



En plus d'influencer le confort, l'humidité et la température sont même capables d'influencer des facteurs tels que notre productivité et notre niveau d'attention, le confort thermique est donc un élément à prendre en compte non seulement dans nos maisons, mais dans notre espace de travail.

1.2 VENTILER ET REFROIDIR. PARCE QUE ?

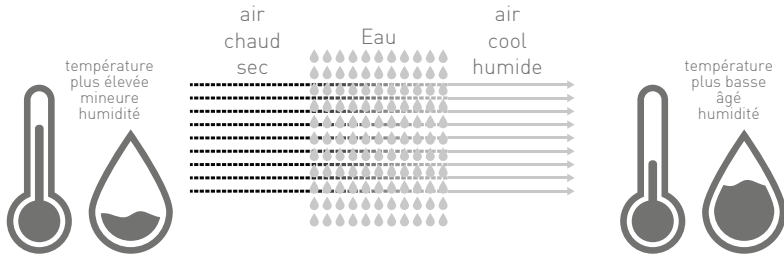
Pendant les mois les plus chauds de l'année, ce qui se passe généralement, c'est que nous devons abaisser la température de l'air pour atteindre notre zone de confort thermique et pour y parvenir, une solution très efficace est l'utilisation d'un CLIMATISEUR ÉVAPORATIF, qui effectue deux tâches fondamentales : **ventiler et rafraîchir**.

Ventiler : la sensation thermique de l'air qui nous entoure dépend de sa vitesse. C'est-à-dire qu'un courant d'air nous donne une sensation de température plus faible que l'air calme.

Sensation de température perçue en fonction de la vitesse de l'air.								
vitesse de l'air m/s	Température de l'air (°C)							
	25	26	27	28	29	30	31	32
	Température équivalente (°C)							
8	22.1	23.5	24.7	26.5	27.8	29.2	29.8	32.2
9	22.1	23.5	24.7	26.5	27.8	29.2	29.8	32.1
10	22.0	23.3	24.5	26.2	27.4	29.0	29.6	31.0
11	22.0	23.2	24.5	26.2	27.4	29.0	29.6	31.0
12	21.9	23.1	24.3	26.0	27.2	28.8	29.4	30.6

C'est pourquoi, à de nombreuses reprises, un simple ventilateur est capable de nous soulager de la sensation de chaleur. Mais, et si en plus de déplacer l'air, on réussissait à le refroidir ? C'est exactement ce que fait un refroidisseur par évaporation ! Ventilez et refroidissez l'air grâce au refroidissement par évaporation.

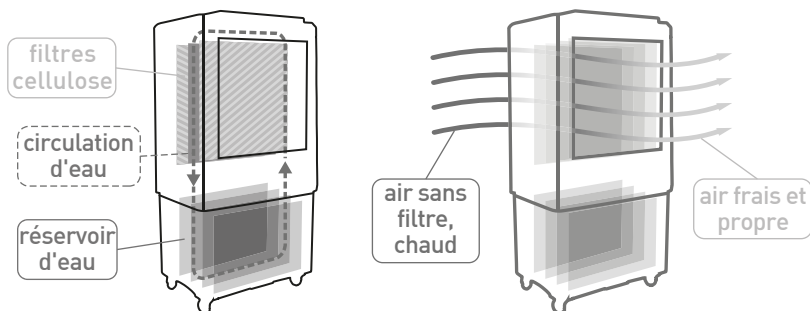
1.3 REFROIDISSEMENT ÉVAPORATIF.



Les climatiseurs évaporatifs utilisent le principe naturel de l'évaporation de l'eau pour produire de l'air frais : l'air sec diminue naturellement sa température si on augmente son humidité. Ce phénomène est le même qui se produit, par exemple, au bord de la mer ou d'une rivière, où le vent qui entre en contact avec l'eau devient une brise capable de nous rafraîchir.

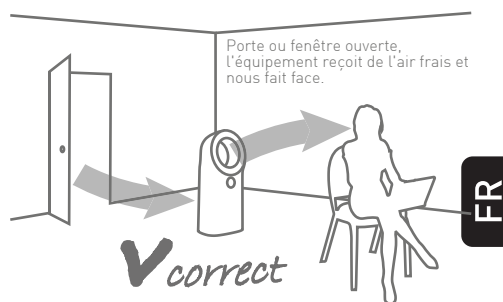
Ce principe est très intéressant car il n'est pas nécessaire de dépenser de l'énergie pour humidifier l'air, mais plutôt c'est quelque chose que l'on peut réaliser naturellement, et cela rend la consommation énergétique d'un refroidisseur par évaporation équivalente à celle d'un ventilateur.

Les refroidisseurs à évaporation fonctionnent en faisant passer un flux d'air à travers des filtres de refroidissement, qui sont imbibés d'eau et l'air capte l'humidité et réduit sa température lorsqu'il les traverse. Ils convertissent l'air chaud et sec en air plus frais et plus humide. De plus, le fait qu'ils filtrent l'air sert à purifier l'environnement et à améliorer la qualité de l'air.



La capacité de refroidissement de cet équipement dépendra toujours des conditions ambiantes de température et d'humidité. Si la température est élevée et l'humidité est faible, nous obtiendrons une plus grande capacité de refroidissement. Si la température n'est pas très élevée et s'il y a beaucoup d'humidité, les performances seront inférieures. Dans tous les cas, utiliser correctement le climatiseur permettra d'atteindre la zone de confort thermique dans la grande majorité des cas.

Nous devons toujours utiliser les climatiseurs dans des espaces ventilés, afin que l'équipement puisse être constamment alimenté en air neuf. Il faut aussi diriger le flux d'air vers l'endroit où l'on se trouve pour profiter de l'effet rafraîchissant produit par l'air frais d'une part, et l'air en mouvement d'autre part.



Nous ne devons pas utiliser cet équipement dans des pièces fermées, car nous obtiendrons l'effet inverse: l'air sera saturé d'humidité et la sensation de chaleur et d'envahissement augmentera.



FR

2. RECOMMANDATIONS GÉNÉRALES

Les refroidisseurs évaporatifs fonctionnent en faisant passer un flux d'air à travers des filtres de refroidissement, qui sont saturés d'eau, de sorte qu'en augmentant leur humidité relative, ils abaissent leur température. Ils convertissent l'air chaud et sec en air frais et humide. De plus, le fait qu'ils filtrent l'air sert à purifier l'environnement et à améliorer la qualité de l'air.

Pour optimiser le refroidissement et la qualité de l'air, tenez compte des recommandations suivantes:



1. Utilisez l'équipement dans des endroits bien ventilés. S'il est utilisé dans un espace clos ou mal ventilé, les performances de l'équipement peuvent être considérablement réduites et il sera très difficile d'abaisser la température de l'air.



2. Essayez de placer l'équipement dos à une porte ou une fenêtre ouverte, de sorte que le plus d'air neuf possible entrant dans la pièce passe à travers notre équipement. Cela augmentera les performances de l'équipement et améliorera la qualité de l'air que nous respirons.



3. Gardez les filtres de l'équipement propres. Plus ils sont propres, plus notre équipement aura de puissance de refroidissement et de filtrage de l'air.



4. Changez l'eau du réservoir dès que vous détectez qu'il contient de la saleté. Une partie des particules en suspension dans l'air passant à travers les filtres peut se retrouver dans le réservoir d'eau. L'utilisation d'équipement avec de l'eau sale diminue ses performances, détériore la qualité de l'air et peut créer des problèmes de fonctionnement.



5. Avant de ranger l'équipement, assurez-vous que les filtres et le réservoir sont propres et secs.

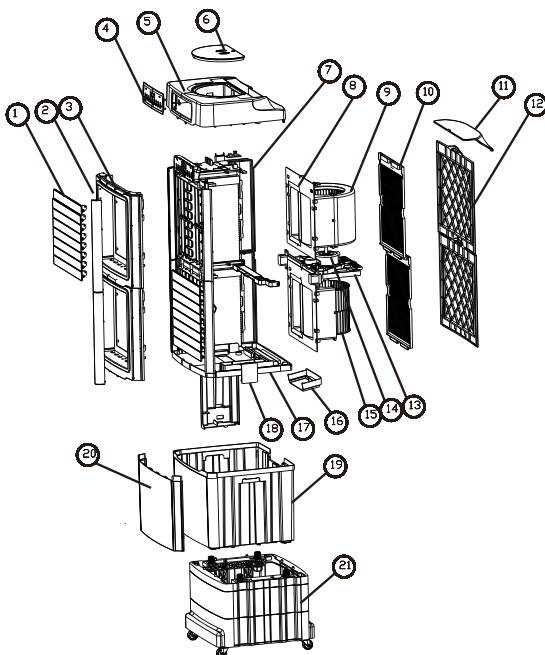


6. Ne mettez aucun liquide dans le réservoir autre que de l'eau. Le mélange de produits chimiques avec de l'eau peut mettre en danger la santé des personnes, des animaux et des plantes, et endommager les filtres de refroidissement.

3. COMPOSANTS PRINCIPAUX

Principaux composants de l'appareil:

1. Lames horizontales.
2. Lames verticales.
3. Capot avant.
4. Tableau de bord.
5. Capot supérieur.
6. Couvercle rabattable supérieure.
7. Capot latéral.
8. Capot du ventilateur arrière.
9. Capot supérieur du ventilateur.
10. Filet de protection.
11. Trappe de remplissage.
12. Filtre arrière.
13. Support moteur.
14. Moteur.
15. Turbine.
16. Couvercle du réservoir d'eau.
17. Bac à eau.
18. Fermeture.
19. Réservoir d'eau.
20. Embellisseur.
21. Support inférieur.



Panneau de contrôle et télécommande :



FR

4. SPÉCIFICATIONS TECHNIQUES

PUISSANCE	280 W
MAX FLUX D'AIR	5000 m ³ /h
ZONE DE COUVERTURE	60 m ²
VITESSE	4
RÉSERVOIR D'EAU	45 L
DIMENSIONS	47/38/155 cm
POIDS	23,2 Kg
TENSION	220 V
FRÉQUENCE	50 Hz

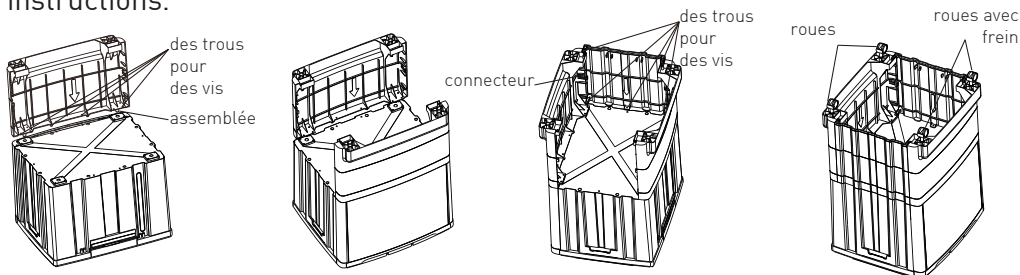
5. PRÉCAUTIONS

1. Lisez attentivement le manuel avant d'utiliser l'appareil.
2. Ce produit ne doit être utilisé qu'avec des sources d'alimentation CA 220 V, 50 Hz.
3. Arrêtez immédiatement d'utiliser l'équipement s'il fonctionne anormalement et contactez centre de service technique. L'utilisateur ne doit pas démonter ni réparer la machine.
4. Si le cordon d'alimentation est endommagé, il ne doit être remplacé que par le fabricant ou le centre de service.
5. Le cordon d'alimentation ne doit pas être rayé, endommagé, plié, tiré, tordu ou pressé avec des objets lourds, sinon cela pourrait provoquer un choc électrique, un court-circuit et un incendie.
6. Cette machine ne doit pas être placée dans un endroit accessible aux enfants. Les enfants ne doivent pas utiliser la machine. Les enfants ne doivent pas jouer avec l'appareil.
7. Ne mettez pas votre main ou tout objet dans la sortie d'air ou les filtres.
8. La machine ne doit pas être placée sur des surfaces inégales, ne laissez pas de vis ou d'autres éléments divers dans le ventilateur. Il ne devrait y avoir aucun rideau ou quelque chose comme ça derrière le ventilateur.
9. Ne couvrez pas cet appareil lorsqu'il fonctionne.
10. Placez la machine sur une surface horizontale pour l'utiliser afin qu'elle ne tombe pas et n'endommage pas les composants internes.
11. Cet appareil est destiné à une utilisation en intérieur ou en extérieur protégé uniquement. Protégez l'équipement des sols mouillés, des éclaboussures d'eau, de la pluie et de l'exposition directe au soleil.
12. N'utilisez pas la machine dans la salle de bain, la piscine ou les endroits humides. Ce produit ne doit en aucun cas être immergé dans l'eau.
13. Lorsque la machine fonctionne, il est interdit de bloquer la sortie d'air et l'entrée d'air à travers la partie filtre.
14. Le niveau d'eau dans le réservoir doit toujours se situer entre les repères MIN et MAX.

15. Ne faites pas basculer ou renverser l'équipement. Si cela se produit avec de l'eau à l'intérieur, débranchez-le immédiatement du réseau électrique. Ne le rebranchez pas tant qu'il n'est pas complètement sec.
16. Ne laissez pas la zone autour de l'humidificateur devenir humide ou mouillée. En cas d'humidité, réduisez la vitesse de l'humidificateur. Si la vitesse de l'humidificateur ne peut pas être réduite, utilisez l'humidificateur par intermittence. Ne laissez pas les matériaux absorbants, tels que les tapis, les rideaux ou les nappes à proximité, se mouiller.
17. Gardez les filtres de l'appareil et le réservoir d'eau propres.
18. Débranchez l'appareil pendant le remplissage et le nettoyage.
19. Pour prolonger la durée de vie du produit, veuillez ne pas l'utiliser dans des endroits extrêmement chauds, humides ou huileux et poussiéreux, et ne pas l'utiliser à proximité d'un feu ou d'articles inflammables, pour éviter un incendie.
20. Ne laissez jamais d'eau dans le réservoir lorsque la machine n'est pas utilisée. Videz, nettoyez et séchez la machine avant de la ranger.
21. Sachez que des niveaux d'humidité élevés peuvent stimuler la croissance d'organismes biologiques dans l'environnement.
22. N'avalez pas la batterie, risque de brûlures chimiques. Si la pile bouton / pièce est avalée, cela peut provoquer de graves brûlures internes en aussi peu que 2 heures et entraîner la mort.
23. Si le compartiment à piles ne se ferme pas correctement, cessez d'utiliser le produit et gardez-le hors de portée des enfants.
24. Gardez les piles neuves et usagées hors de portée des enfants.
25. La télécommande doit être utilisée correctement. Évitez les chocs ou l'immersion dans l'eau. Faites attention à la polarité lors de l'installation de la batterie.
26. Les batteries contiennent des matériaux dangereux pour l'environnement; doit être retiré de l'appareil avant sa mise au rebut et éliminé en toute sécurité.

6. INSTRUCTIONS D'UTILISATION

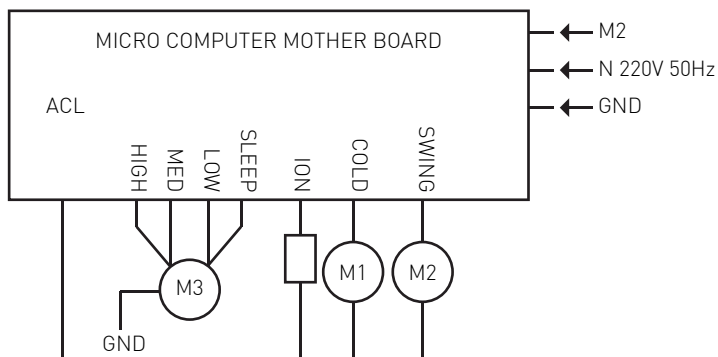
1. Sortez l'équipement de son emballage et assemblez la base selon les instructions.



1. Installez d'abord les sections avant et arrière du support et fixez-les avec des vis.
2. Répétez la même opération pour les sections latérales.
3. Installez les roues en les insérant dans les trous correspondants. Les roues avec freins seront situées à l'avant et celles sans freins à l'arrière.
2. Remplissez le réservoir d'eau de manière à ce que le niveau d'eau se situe toujours entre les repères MIN et MAX.
3. Veuillez connecter l'alimentation avec des mains sèches et assurez-vous qu'il est bien connecté. L'équipement entrera en mode STANDBY.
4. Appuyez sur ON/OFF pour allumer la machine. L'écran affichera la température et l'équipement commencera à fonctionner à basse vitesse. Si vous appuyez à nouveau sur ON/OFF, l'équipement reviendra en mode STANDBY. Il est pratique de désactiver le mode COOL 15 min. avant d'arrêter l'équipement afin que les filtres de refroidissement puissent sécher.
5. Appuyez sur le bouton SPEED : la vitesse du vent passera de faible à moyenne, élevée ou forte. Lors du démarrage du moteur, il a un retard de 5 secondes.
6. Appuyez sur SLEEP pour activer/désactiver le SLEEP MODE.
7. Appuyez sur TIMER pour activer/désactiver la minuterie d'arrêt de l'équipement entre 1 et 24h.
8. Appuyez sur SWING UP/DOWN ou SWING LEFT/RIGHT pour activer/désactiver l'oscillation automatique des volets horizontaux ou verticaux.
9. Appuyez sur le bouton COOL pour démarrer le refroidissement par évaporation. Si vous n'appuyez pas sur COOL, l'équipement fonctionne comme un ventilateur. Si le réservoir d'eau est bas, l'équipement émettra une alarme sonore et le mode COOL s'arrêtera.

10. Appuyez sur IONIZER pour activer/désactiver la génération d'ions négatifs. L'ioniseur permet de purifier l'air.

11. Schéma électrique.



7. NETTOYAGE ET MAINTENANCE

1. Débranchez le cordon d'alimentation avant la maintenance.
2. Nettoyez la surface de l'appareil avec un chiffon doux humide et essuyez-le avec un chiffon sec. Ne laissez pas l'eau pénétrer à l'intérieur de la machine.
3. Notez que la surface ne doit pas être polie au papier de verre, cirée, nettoyée avec de l'essence, de l'acide, un alcali, du benzène et d'autres solvants organiques pour éviter la décoloration et la détérioration.
4. Lorsqu'il n'est pas utilisé, veuillez nettoyer comme ci-dessus, placer dans la boîte d'origine et stocker dans un endroit frais, sec et ventilé.

FR

8. SOLUTION DE PROBLÈMES

PROBLÈME	CAUSE POSSIBLE	SOLUTIONS
L'équipement ne fonctionne pas.	Il n'y a pas de courant électrique.	Vérifiez que le cordon d'alimentation est branché. Vérifiez l'alimentation. Appuyez sur MARCHE/ARRÊT.
Il n'y a pas de flux d'air.	Moteur endommagé. Blocage dans la grille ou les filtres.	Contactez SAT. Matériel propre.
L'équipement ne refroidit pas.	Niveau d'eau bas. Pompe à eau endommagée. Le filtre est sale. Il y a trop d'humidité dans l'environnement.	Remplissez le réservoir d'eau. Contactez SAT. Matériel propre. Vous pouvez utiliser l'ordinateur comme ventilateur.
Mal odeur.	L'eau ou le filtre est sale.	Changer l'eau ou nettoyer l'équipement.
Augmente la sensation de chaleur dans la pièce.	Il n'y a pas de renouvellement d'air et l'humidité relative devient trop élevée.	Assurez-vous que la pièce est bien ventilée et que l'équipement peut constamment recevoir de l'air frais.

9. SERVICE D'ASSISTANCE TECHNIQUE

Chez MCONFORT, nous serons heureux de résoudre tout incident pouvant survenir sur votre ordinateur, ainsi que de résoudre tout doute pouvant survenir à son égard.

Veillez nous contacter via les canaux suivants:

e-mail **sat@mconfort.com**
téléphone **+34 961 536 720**

10. PROTECTION DE L'ENVIRONNEMENT

Grâce à une élimination respectueuse de l'environnement, des matériaux précieux peuvent être réutilisés.

1. Débranchez le câble d'alimentation secteur.
2. Coupez le câble de connexion réseau.
3. Mettez l'appareil au rebut conformément aux réglementations environnementales.



Este aparato está marcado con el símbolo de cumplimiento con la Directiva Europea 2012/19/UE relativa a los aparatos eléctricos y electrónicos usados (Residuos de aparatos eléctricos y electrónicos RAEE). La directiva proporciona el marco general válido en todo el ámbito de la Unión Europea para la retirada y la reutilización de los residuos de los aparatos eléctricos y electrónicos.

11. GARANTIE PRODUIT

Période de garantie:

1. La garantie s'applique aux gammes de produits de refroidisseurs évaporatifs, humidificateurs, déshumidificateurs, radiateurs, tapis chauffants fournis sous la marque MCONFORT.
2. La période de garantie est de 2 ans, à compter de la date de vente.
3. MCONFORT fournira une assistance technique à sa convenance au domicile du client, ou récupérera le matériel pour réparation dans les locaux de l'entreprise.

Conditions de validité de la garantie:

1. Cette garantie s'applique uniquement sur le territoire national espagnol.
2. L'équipement doit avoir été utilisé conformément aux instructions détaillées dans le manuel d'utilisation.
3. Seul le service technique agréé MCONFORT peut couvrir la garantie.
4. Il est essentiel que l'utilisateur ou l'établissement de vente remplisse l'équipement et les données client sur cette carte de garantie.

Coberturas de la garantía:

1. Cette garantie n'affecte pas les droits de l'utilisateur conformément aux dispositions de RDL 1/2007.
2. Conformément au titre V du RDL 1/2007, l'utilisateur aura le droit d'exiger du vendeur et / ou du producteur dans les cas déterminés par la loi, la réparation et / ou le remplacement du produit.
3. Pendant la durée de la réparation de l'équipement, aucun montant ne sera payé pour les dommages dus au temps où l'équipement a été hors service.
4. Nous ne sommes pas responsables des dommages que l'équipement pourrait causer aux éléments externes.

Exclusions de garantie:

1. Non-respect de l'une des exigences mentionnées précédemment.
2. Lorsque l'utilisation qui a été donnée à l'équipement n'était pas exclusivement domestique.
3. La garantie ne couvre pas les accessoires ou accessoires ajoutés à l'équipement.
4. Démonstrations ou mise en service des équipements.
5. Si le défaut est causé par un incendie, une inondation, des agents.
les conditions météorologiques, les chocs ou une mauvaise application de l'alimentation électrique.
6. Les dommages dus à un abus, y compris les dommages de transport, qui doivent être réclamés à la société de transport. Il est conseillé d'inspecter les colis reçus en présence du personnel de la société de transport, avant de signer le bon de livraison d'acceptation.
7. Les dommages causés par la rupture physique des boîtiers ou des plastiques.
8. L'utilisation de pièces de rechange MCONFORT non originales.
9. Pannes causées par une mauvaise utilisation.
10. Un équipement qui ne porte pas le numéro de série de fabrication, ou qui a été modifié ou effacé.
11. Lorsque l'équipement a été manipulé ou réparé par du personnel autre que ou non autorisé par MCONFORT.
12. Entretien et nettoyage du matériel
13. Pannes causées par l'usure ou l'utilisation normale de l'équipement, telles que des filtres ou des drains obstrués.



Estimado Cliente:

Queremos agradecer a confiança depositada em nós e recebê-lo no conforto e comodidade que seu equipamento MCONFORT lhe oferecerá em breve. Ficamos à disposição para esclarecer qualquer dúvida ou questionamento sobre as características e funcionamento de seu equipamento. Esperamos que você aproveite os benefícios de seus equipamentos MCONFORT, uma marca de qualidade que cuida dos detalhes e busca a maior satisfação de seus clientes.

Com os melhores cumprimentos:

a equipe MCONFORT

MANUAL DO USUÁRIO - ÍNDICE

1. Introdução ao resfriamento evaporativo	44
2. Recomendações gerais	47
3. Principais componentes	48
4. Especificações técnicas	49
5. Precauções	50
6. Instruções de uso	52
7. Limpeza e manutenção	53
8. Solução de problemas	54
9. Serviço técnico	55
10. Proteção ambiental	55
11. Garantia	56

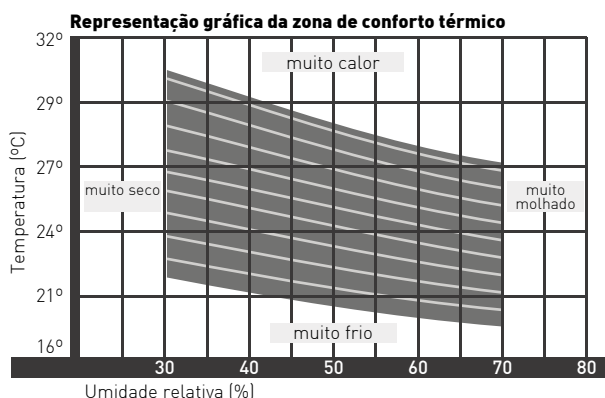
PT

1. INTRODUÇÃO AO RESFRIAMENTO EVAPORATIVO

O principal objetivo dos climatizadores evaporativos é aumentar o nível de conforto de qualquer espaço de forma natural e eficiente. Para tirar o máximo proveito deste tipo de equipamento, você deve ler esta introdução ao resfriamento evaporativo.

1.1 ZONA DE CONFORTO TÉRMICO

Nosso nível de conforto está diretamente relacionado à temperatura e umidade do ambiente. Em geral, podemos dizer que as pessoas percebem uma sensação de conforto térmico quando as condições ambientais estão dentro do que chamamos de “zona de conforto térmico”. Esta zona corresponde à faixa de temperatura entre 18° e 30°C e uma umidade relativa entre 30 e 70% aproximadamente.



Além de influenciar o conforto, a umidade e a temperatura são ainda capazes de influenciar fatores como nossa produtividade e nosso nível de atenção, por isso o conforto térmico é um elemento a ser levado em consideração não apenas em nossas casas, mas em nosso espaço de trabalho.

1.2 VENTILAR E REFRIGERAR. PORQUE?

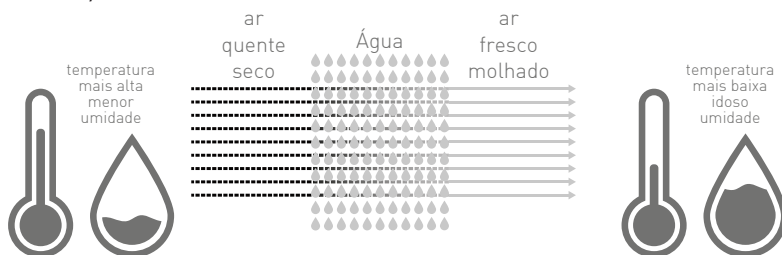
Nos meses mais quentes do ano, o que geralmente acontece é que precisamos baixar a temperatura do ar para atingir nossa zona de conforto térmico e para isso, uma solução muito eficiente é a utilização de um AR CONDICIONADO EVAPORATIVO, que realiza duas tarefas fundamentais: **ventilar e refrescar**.

Ventilar: a sensação térmica do ar que nos rodeia depende da sua velocidade. Ou seja, uma corrente de ar nos dá uma sensação de temperatura mais baixa do que o ar calmo.

Sensação de temperatura percebida em função da velocidade do ar.								
velocidade do ar m/s	Temperatura do ar (°C)							
	25	26	27	28	29	30	31	32
	Temperatura equivalente (°C)							
8	22.1	23.5	24.7	26.5	27.8	29.2	29.8	32.2
9	22.1	23.5	24.7	26.5	27.8	29.2	29.8	32.1
10	22.0	23.3	24.5	26.2	27.4	29.0	29.6	31.0
11	22.0	23.2	24.5	26.2	27.4	29.0	29.6	31.0
12	21.9	23.1	24.3	26.0	27.2	28.8	29.4	30.6

É por isso que em muitas ocasiões um simples ventilador é capaz de nos aliviar da sensação de calor. Mas, e se além de movimentar o ar, conseguíssemos resfriá-lo? Isso é exatamente o que um resfriador evaporativo faz! Ventilar e resfriar o ar através do resfriamento evaporativo.

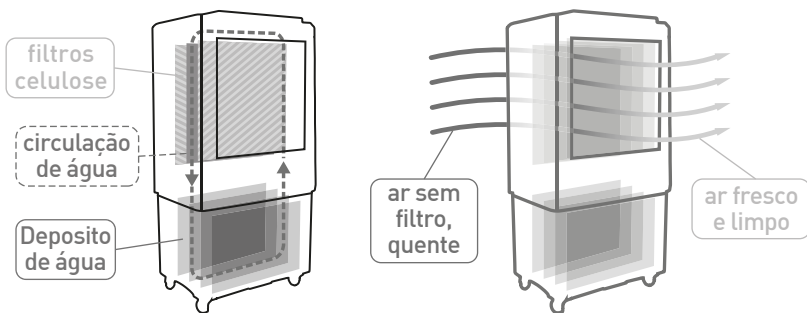
1.3 REFRIGERAÇÃO EVAPORATIVA.



Os condicionadores de ar evaporativos usam o princípio natural da evaporação da água para produzir ar fresco: o ar seco diminui naturalmente sua temperatura se aumentarmos sua umidade. Esse fenômeno é o mesmo que ocorre, por exemplo, nas margens do mar ou de um rio, onde o vento que entra em contato com a água se torna uma brisa capaz de nos refrescar.

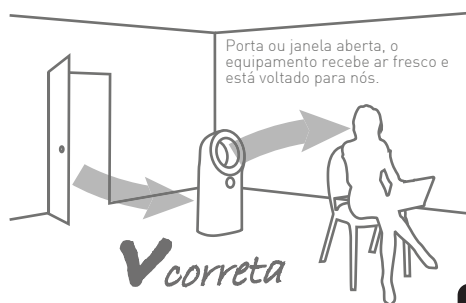
Este princípio é muito interessante porque não é necessário gastar energia para umidificar o ar, mas sim é algo que podemos conseguir naturalmente, e isso faz com que o consumo de energia de um resfriador evaporativo seja equivalente ao de um ventilador.

Os resfriadores evaporativos funcionam passando um fluxo de ar através de filtros de resfriamento, que são embebidos em água e o ar capta a umidade e reduz sua temperatura ao passar por eles. Eles convertem o ar quente e seco em ar mais frio e úmido. Além disso, o fato de filtrarem o ar serve para purificar o ambiente e melhorar a qualidade do ar.



A capacidade de refrigeração deste equipamento dependerá sempre das condições de temperatura e umidade do ambiente. Se a temperatura for alta e a umidade for baixa, obteremos uma maior capacidade de refrigeração. Se a temperatura não for muito alta ou houver muita umidade, o desempenho será menor. De qualquer forma, o uso correto do ar condicionado servirá para atingir a zona de conforto térmico na grande maioria dos casos.

Devemos sempre usar os condicionadores de ar em espaços ventilados, para que o equipamento possa ser constantemente alimentado com ar novo. Devemos também direcionar o fluxo de ar para onde estamos localizados para aproveitar o efeito refrescante produzido pelo ar fresco, por um lado, e pelo ar em movimento, por outro.



Não devemos utilizar este equipamento em salas fechadas, pois obteremos o efeito contrário ao pretendido: o ar ficará saturado de humidade e a sensação de calor e opressão aumentará.



PT

2. RECOMENDAÇÕES GERAIS

Os resfriadores evaporativos funcionam passando um fluxo de ar por filtros de resfriamento, saturados de água, de forma que, ao aumentar a umidade relativa, eles baixam a temperatura. Eles convertem o ar quente e seco em ar frio e úmido. Além disso, o fato de filtrarem o ar serve para purificar o meio ambiente e melhorar a qualidade do ar.

Para obter o máximo de resfriamento e qualidade do ar, considere as seguintes recomendações:



1. Use o equipamento em locais bem ventilados. Se usado em um espaço confinado ou mal ventilado, o desempenho do equipamento pode ser bastante reduzido e será muito difícil baixar a temperatura do ar.



2. Tente colocar o equipamento de costas para uma porta ou janela aberta, de modo que o máximo de ar novo possível que entre na sala passe por nosso equipamento. Isso aumentará o desempenho do equipamento e melhorará a qualidade do ar que respiramos.



3. Mantenha os filtros do equipamento limpos. Quanto mais limpos eles estiverem, mais poder de refrigeração e filtragem de ar nosso equipamento terá.



4. Troque a água do tanque assim que detectar que ela contém sujeira. Parte das partículas transportadas pelo ar que passam pelos filtros podem acabar no tanque de água. O uso de equipamentos com água suja diminui o desempenho, piora a qualidade do ar e pode criar problemas operacionais.



5. Antes de armazenar o equipamento, certifique-se de que os filtros e o reservatório estejam limpos e secos.

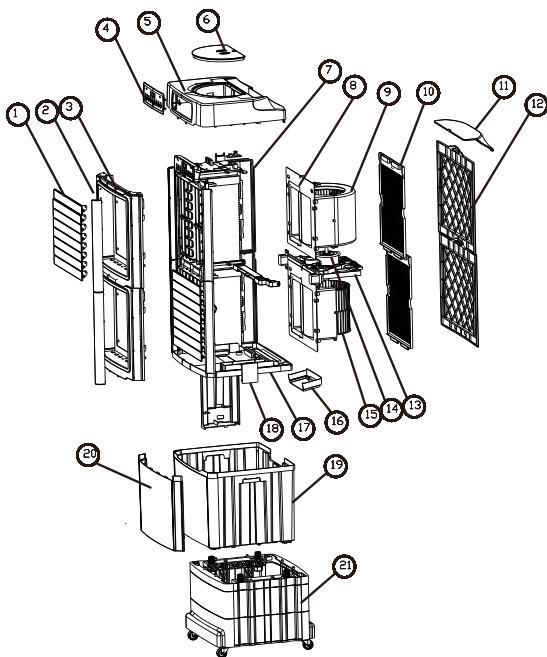


6. Não coloque nenhum líquido no reservatório além de água. A mistura de produtos químicos com água pode colocar em risco a saúde de pessoas, animais e plantas, além de danificar os filtros de resfriamento.

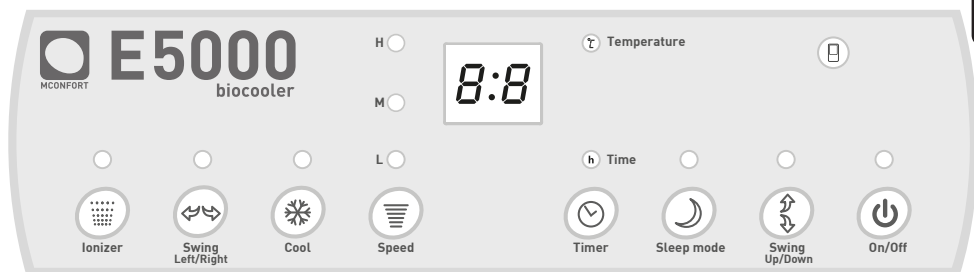
3. COMPONENTES PRINCIPAIS

Componentes principais do dispositivo:

1. Lâminas horizontais.
2. Lâminas verticais.
3. Painel frontal.
4. Painel de controle.
5. Painel superior.
6. tampa de abertura.
7. Painel lateral.
8. Tampa traseira do ventilador.
9. Tampa superior do ventilador.
10. Malha protetora.
11. Escotilha de enchimento.
12. Filtro traseiro.
13. Suporte do motor.
14. Motor.
15. Turbina.
16. Tampa do tanque de água.
17. Bandeja de água.
18. fechamento.
19. Tanque de água.
20. Embelezador.
21. Suporte inferior.



Painel de controle e controle remoto:



PT

4. ESPECIFICAÇÕES TÉCNICAS

PODER	280 W
MAX FLUXO DE AR	5000 m ³ /h
ÁREA DE COBERTURA	60 m ²
VELOCIDADES	4
DEPOSITO DE ÁGUA	45 L
DIMENSÕES	47/38/155 cm
PESO	23,2 Kg
VOLTAGEM	220 V
FREQUÊNCIA	50 Hz

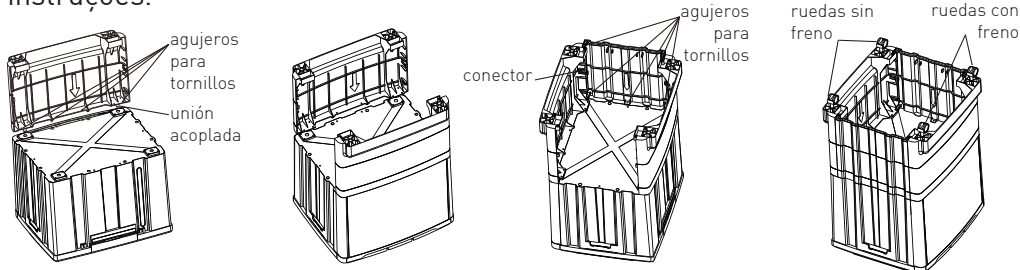
5. PRECAUÇÕES

1. Leia atentamente o manual antes de usar o aparelho.
2. Este produto deve ser usado apenas com fontes de alimentação 220V, 50 Hz AC.
3. Pare de usar o equipamento imediatamente se funcionar de forma anormal e entre em contato com o centro de serviço técnico. O usuário não deve desmontar ou consertar a máquina.
4. Se o cabo de alimentação estiver danificado, só deve ser substituído pelo fabricante ou centro de serviço.
5. O cabo de alimentação não deve ser arranhado, danificado, dobrado, puxado, torcido ou pressionado com objetos pesados, caso contrário, pode causar choque elétrico, curto-circuito e incêndio.
6. Esta máquina não deve ser colocada em um local acessível a crianças. As crianças não devem usar a máquina. As crianças não devem brincar com o aparelho.
7. Não coloque a mão ou qualquer objeto na saída d'ar ou filtros.
8. A máquina não deve ser colocada em superfícies irregulares, não deixe parafusos ou outros itens diversos no ventilador. Não deve haver cortinas ou algo parecido atrás do ventilador.
9. Não cubra este aparelho quando ele estiver funcionando.
10. Coloque a máquina em uma superfície horizontal para uso, de forma que ela não caia e danifique os componentes internos.
11. Este aparelho é apenas para uso interno ou externo protegido. Proteja o equipamento de pisos molhados, respingos de água, chuva e exposição direta à luz solar.
12. Não use a máquina próximo ao banheiro, piscina ou locais úmidos. Este produto não deve ser imerso em água em nenhuma circunstância.
13. Durante o funcionamento da máquina, é proibido bloquear a saída e a entrada de ar pelo filtro.
14. O nível de água no tanque deve estar sempre entre as marcas MIN e MAX.

15. Não incline ou vire o equipamento. Se isso acontecer com água no interior, desconecte-o imediatamente da rede elétrica. Não conecte-o novamente até que esteja completamente seco.
16. Não permita que a área ao redor do umidificador fique úmida ou molhada. Se houver umidade, diminua a velocidade do umidificador. Se a velocidade do umidificador não puder ser reduzida, use o umidificador intermitentemente. Não permita que materiais absorventes, como tapetes, cortinas ou toalhas de mesa próximos, fiquem úmidos.
17. Mantenha os filtros do aparelho e o tanque de água limpos.
18. Desligue o aparelho durante o enchimento e limpeza.
19. Para prolongar a vida útil do produto, não o utilize em locais extremamente quentes, úmidos ou oleosos e empoeirados, e não o utilize próximo ao fogo ou itens inflamáveis, para evitar incêndio.
20. Nunca deixe água no tanque quando a máquina não estiver em uso. Esvazie, limpe e seque a máquina antes de guardá-la.
21. Esteja ciente de que altos níveis de umidade podem estimular o crescimento de organismos biológicos no meio ambiente.
22. Não engula a bateria, perigo de queimaduras químicas. Se a bateria tipo moeda / botão for engolida, pode causar queimaduras internas graves em apenas 2 horas e causar a morte.
23. Se o compartimento da bateria não fechar com segurança, pare de usar o produto e mantenha-o fora do alcance das crianças.
24. Mantenha as baterias novas e usadas fora do alcance das crianças.
25. O controle remoto deve ser usado corretamente. Evite choques ou imersão em água. Preste atenção à polaridade ao instalar a bateria.
26. As baterias contêm materiais perigosos para o meio ambiente; deve ser removido do aparelho antes da eliminação e eliminado com segurança.

6. INSTRUCCIONES DE USO

1. Retire o equipamento da embalagem e monte a base de acordo com as instruções.



1. Instale primero los tramos frontal y trasero del soporte y fíjelos mediante tornillos.
2. Repita la misma operación para los tramos laterales.
3. Instale las ruedas introduciéndolas en los agujeros correspondientes. Las ruedas con freno se situarán en la parte delantera y las que no tienen freno en la parte trasera.

2. Encha o tanque de água de forma que o nível da água esteja sempre entre as marcas MIN e MAX.

3. Conecte a energia com as mãos secas e certifique-se de que esteja bem conectada. O equipamento entrará no modo STANDBY.

4. Pressione ON/OFF para ligar a máquina. O display mostrará a temperatura e o equipamento começará a trabalhar em baixa velocidade. Se você pressionar ON/OFF novamente, o equipamento retornará ao modo STANDBY. É conveniente desligar o modo COOL 15 min. antes de desligar o equipamento para que os filtros de refrigeração possam secar.

5. Pressione o botão SPEED: a velocidade do vento mudará de baixa para média, alta ou forte. Ao ligar o motor tem um atraso de 5 segundos.

6. Pressione SLEEP para ativar/desativar o SLEEP MODE.

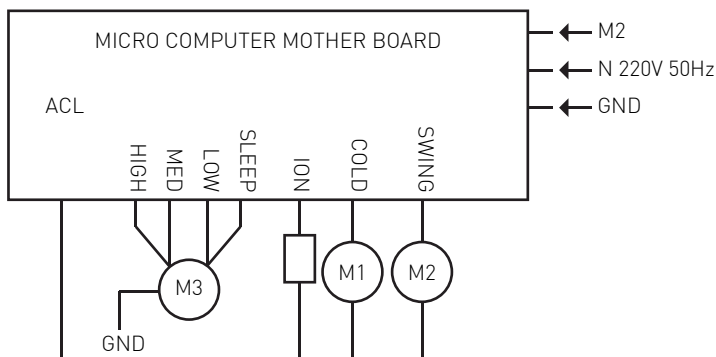
7. Pressione TIMER para ativar/desativar o temporizador de desligamento do equipamento entre 1 e 24h.

8. Pressione SWING UP/DOWN ou SWING LEFT/RIGHT para ativar/desativar a oscilação automática das persianas horizontais ou verticais.

9. Pressione o botão COOL para iniciar o resfriamento evaporativo. Se você não pressionar COOL, o equipamento funciona como um ventilador. Se o tanque de água estiver com pouca água, o equipamento emitirá um alarme sonoro e o modo COOL será interrompido.

10. Pressione IONIZER para ligar/desligar a geração de íons negativos. O ionizador ajuda a purificar o ar.

11. Diagrama elétrico.



7. LIMPEZA E MANUTENÇÃO

1. Desconecte o cabo de alimentação antes da manutenção.
2. Limpe a superfície do aparelho com um pano macio húmido e seque com um pano seco. Não deixe entrar água na máquina.
3. Observe que a superfície não deve ser polida com lixa, encerada, limpa com gasolina, ácido, álcali, benzeno e outros solventes orgânicos para evitar descoloração e deterioração.
4. Quando não estiver em uso, limpe como acima, coloque na caixa original e armazene em local fresco, seco e ventilado.

8. RESOLUÇÃO DE PROBLEMAS

QUESTÃO	POSSÍVEL CAUSA	SOLUÇÕES
O equipamento não funciona.	Não há corrente elétrica.	Verifique se o cabo de alimentação está conectado. Verifique a fonte de alimentação. Pressione LIGAR/DESLIGAR.
Não há fluxo de ar.	Motor danificado. Bloqueio na grade ou filtros.	Entre em contato com a SAT. Equipamento limpo.
O equipamento não refrigera.	Nível de água baixo. Bomba de água danificada. O filtro está sujo. Há muita umidade no ambiente.	Encha o tanque de água. Entre em contato com a SAT. Equipamento limpo. Você pode usar o computador como um ventilador.
Mau cheiro.	A água ou o filtro estão sujos.	Troque a água ou limpe o equipamento.
Aumenta a sensação de calor na sala.	Não há renovação de ar e a umidade relativa está ficando muito alta.	Certifique-se de que a sala esteja bem ventilada e que o equipamento possa receber ar fresco constantemente.

9. SERVIÇO DE ASSISTÊNCIA TÉCNICA

Na MCONFORT teremos o maior prazer em resolver qualquer incidente que possa ocorrer no seu computador, bem como em esclarecer todas as dúvidas que possam surgir a respeito.

Entre em contato conosco através dos seguintes canais:

e-mail **sat@mconfort.com**
telefone **+34 961 536 720**

10. PROTEÇÃO AMBIENTAL

Graças ao descarte ecologicamente correto, materiais valiosos podem ser reutilizados.

1. Desligue o cabo de ligação à rede.
2. Corte o cabo de conexão de rede.
3. Descarte o dispositivo de acordo com as regulamentações ambientais.



Este aparato está marcado con el símbolo de cumplimiento con la Directiva Europea 2012/19/UE relativa a los aparatos eléctricos y electrónicos usados (Residuos de aparatos eléctricos y electrónicos RAEE). La directiva proporciona el marco general válido en todo el ámbito de la Unión Europea para la retirada y la reutilización de los residuos de los aparatos eléctricos y electrónicos.

11. GARANTIA DO PRODUTO

Período de garantia:

1. A garantia aplica-se às linhas de produtos de Resfriadores Evaporativos, Umidificadores, Desumidificadores, Aquecedores, Esteiras Aquecedoras fornecidos sob a marca MCONFORT
2. O período de garantia é de 2 anos, a contar da data da venda.
3. MCONFORT prestará assistência técnica conforme sua conveniência na casa do cliente, ou retirará o equipamento para reparo nas instalações da empresa.

Requisitos para a validade da garantia:

1. Esta garantia aplica-se apenas no território nacional espanhol.
2. O equipamento deve ter sido utilizado de acordo com as instruções detalhadas no manual do usuário.
3. Apenas o serviço técnico autorizado MCONFORT pode cobrir a garantia.
4. É imprescindível que o usuário ou estabelecimento vendedor preencha os dados do equipamento e do cliente neste cartão de garantia.

Cobertura da garantia:

1. Esta garantia não afeta os direitos do usuário de acordo com as disposições da RDL 1/2007.
2. Nos termos do título V da RDL 1/2007, o utilizador terá o direito de exigir do vendedor e / ou do produtor, nos casos previstos em lei, a reparação e / ou substituição do produto.
3. Durante o tempo que o equipamento está sendo reparado, nenhum valor será pago por danos pelo tempo que o equipamento esteve fora de serviço.
4. Não nos responsabilizamos por quaisquer danos que o equipamento possa causar a elementos externos.

Exclusões de garantia:

1. O não cumprimento de algum dos requisitos mencionados anteriormente.
2. Quando o uso dado ao equipamento não for exclusivamente doméstico.
3. A garantia não cobre acessórios ou acessórios adicionados ao equipamento.
4. Demonstrações ou comissionamento de equipamentos.
5. Se a falha for causada por incêndio, inundação, agentes condições climáticas, choque ou aplicação inadequada da fonte de alimentação.
6. Danos por abuso, incluindo danos de transporte, que devem ser reclamados da empresa de transporte. É aconselhável inspecionar as embalagens recebidas na presença do pessoal da transportadora, antes de assinar a guia de aceitação de entrega.
7. Danos causados por quebra física em invólucros ou plásticos.
8. Uso de peças sobressalentes não originais MCONFORT.
9. Falhas causadas por uso indevido.
10. Equipamentos que não tenham o número de série de fabricação ou que tenham sido alterados ou apagados.
11. Quando o equipamento foi manipulado ou reparado por pessoal não autorizado ou não pela MCONFORT.
12. Manutenção e limpeza de equipamentos
13. Falhas causadas por desgaste ou uso normal do equipamento, como filtros ou drenos entupidos.

sat@mconfort.com

+34 961 536 720

C/ Alcalaten nº 16, Polígono Industrial La Cova.
46940 - Manises, Valencia. SPAIN



MCONFORT

mconfort.com