

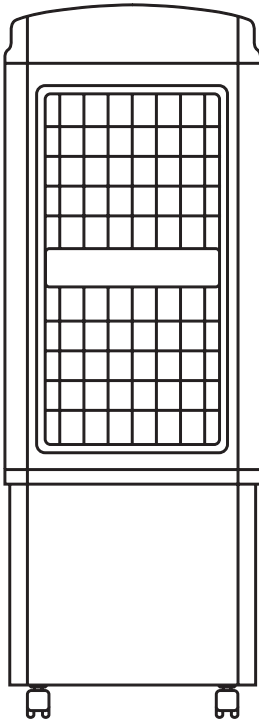
**M CONFORT**

Enfriador evaporativo

Evaporative cooler

Refroidisseur d'évaporation

Climatizador evaporativo



## **E2000**

Manual de Usuario	1 - 9
User's manual	10 - 19
Manuel de l'utilisateur	20 - 29
Manual de usuário	30 - 39



# MCONFORT E2000

## Safety warnings:

This equipment can not be used by children or people with reduced mental faculties if it is not under supervision or who have been instructed in the use of the equipment in a safe way and understand the dangers in which it can derive a bad use of it. Children should not play with the equipment. Cleaning and maintenance of the equipment should not be carried out by children without supervision.

If the power cord is damaged, it can only be replaced by the technical service.

For cleaning or maintenance, the equipment must be disconnected from the electrical network.

Disconnect it also for filling the water tank.

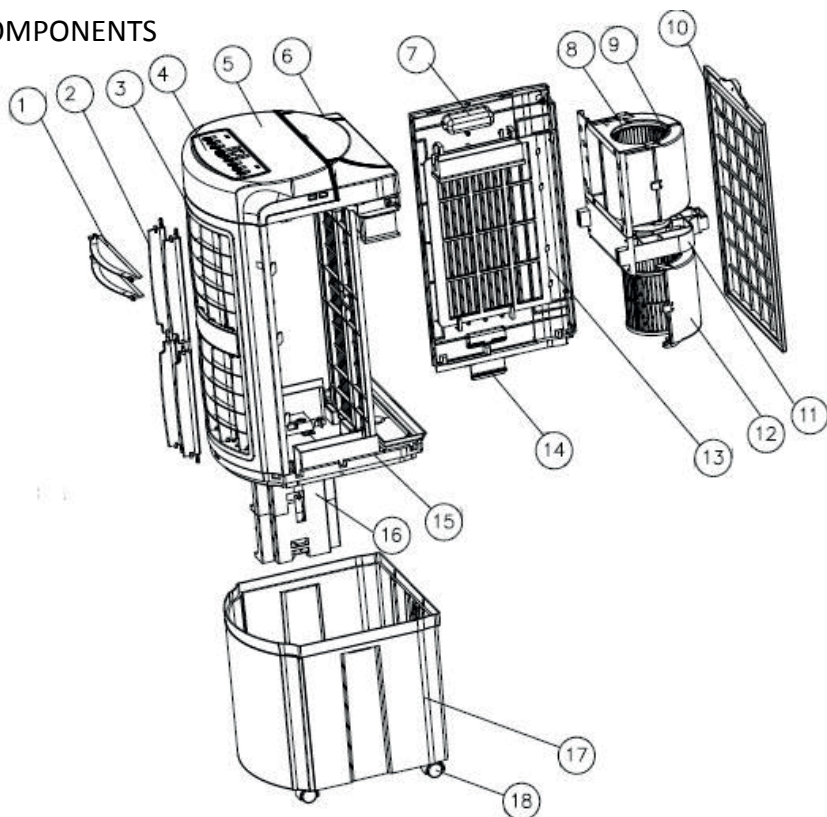
## CONTENT

I. CHARACTERISTICS	11
II. COMPONENTS	12
III. PARTS INCLUDED IN THE BOX	13
IV. TECHNICAL SPECIFICATIONS	13
V. INSTRUCTIONS FOR USE	14
VI. FUNCTIONS OF THE CONTROL PANEL	15
VII. SECURITY INSTRUCTIONS	16
VIII. MAINTENANCE AND CLEANING	17
IX. ELECTRIC DIAGRAM	18
X. PROBLEM SOLVING	18
XI. WARRANTY	19

## I. CHARACTERISTICS

1. Natural cooling: The cooler uses the natural principle of water evaporation to generate fresh air and provide a comfortable and natural environment.
2. Clean and fresh air: The cellulose filter with honeycomb structure and the prefilter clean the air of impurities to achieve a healthier environment.
3. Ionizer: The ionizer generates negative ions that improve our quality of life.
4. Removable water tank and filter: Both the water tank and the cooling filter can be removed for easy cleaning.
5. Electric motor of 60W of high efficiency: Maximum efficiency: the saving with respect to a conventional air conditioning is greater than 90% keeping doors and windows open. It can be used in combination with an air conditioner to improve its performance.
6. Control panel: The equipment has a control panel from which all the functions can be adjusted: 3 fan speeds, automatic left-right diffusion, sleep mode, etc.
7. Remote control: To control the equipment comfortably seated in our chair, up to a distance of 6.5 m.
8. Memory function: Once the equipment is switched off, it remembers the latest specifications of use, even when disconnected from the power supply.
9. Temperature: The display shows the ambient temperature.
10. Timer: We can adjust the automatic shutdown of the equipment from 1 to 24 hours.
11. No water alarm: When the equipment runs out of water, it warns by means of a sound and visual alarm on the panel and the water pump stops after 3 seconds if no water is added.

## II. COMPONENTS



1-. Horizontal grids.  
 2-. Vertical grids.  
 3-. Front cover.  
 4-. Control Panel.  
 5-. Top deck.  
 6-. Tank filling lid.  
 7-. Side cover.

8-. Fan cover.  
 9-. Fan.  
 10-. Rear filter.  
 11-. Engine support  
 12-. Fan cover.  
 13-. Side filter.  
 14-. Closing insurance.

15-. Water tray.  
 16-. Stand support.  
 17-. Water tank.  
 18-. Wheel.

### III. PARTS INCLUDED IN THE BOX

PART NO.	PART	QUANTITY
1	Cooler	1
2	Remote control	1
3	User's manual	1
4	Wheel	4
5	Connection cable	1

### IV. TECHNICAL SPECIFICATIONS

MODEL	M CONFORT E2000
VOLTAGE	220V
FREQUENCY	50Hz
POWER	90W
MAXIMUM FLOW	2000m <sup>3</sup> /h
CAPACITY OF WATER DEPOSIT	30L
NET WEIGHT	12,0 Kg
GROSS WEIGHT	14,8 Kg
EQUIPMENT DIMENSIONS	35x38x97 cm
DIMENSIONS OF THE PACKAGING	39x41x97 cm

Observations: As a result of the constant development of our products, these specifications can be modified without prior notice.



## V. INSTRUCTIONS FOR USE

- 1-. Remove the equipment from the packaging and place it on the floor.
- 2-. Check that all parts are present according to section III.
- 3-. Place the wheels in their seats. The wheels with brake are placed on the sides of the front and those without brakes are placed in the back and in the center front.
- 4-. Remove the tank and add water according to the following indications:
  - a. Observe the water level at the front to avoid overfilling.
  - b. The water level in the tank must be maintained between the MAX and MIN marks.
  - c. It is possible that, after a few hours of use, the water in the tank acquires a certain odor. If so, it is recommended to change the water and clean the reservoir more frequently.
  - d. Water shortage alarm: When the water level is below the MIN, an alarm will sound and the corresponding indicator will appear, which will go off when the tank is refilled and the cooling function will be operational again.
- 5-. Connect the equipment to an outlet with the appropriate voltage. When connected, it will beep and the equipment will be in Stand-by mode.

### Notes:

- To avoid a short circuit, do not disconnect the equipment with wet hands.
- Make sure that the plug is properly connected in its housing.

## VI. FUNCTIONS OF THE CONTROL PANEL



1. **ON / OFF:** In Stand-by mode, press this button. then the temperature will be displayed on the screen and the fan will start. When the equipment is turned off, if it is operating in cold mode, the fan will remain in operation for a few minutes to dry the filters. Then it will turn off automatically. Press again if you want it to turn off immediately.
2. **SPEED:** Press this button to select the fan speed, in LOW-HALF-HIGH-LOW sequence. The light corresponding to the selected speed will light up. The engine takes about 5 seconds to start at the first ignition.
3. **SLEEP MODE:** Press this button to activate the SUPER LOW speed of the fan. Press again to return to the previously selected speed.
4. **SWING:** This equipment has automatic movement of the vertical grids. Press the button to activate the movement. Press again to stop the movement. The horizontal grids can be adjusted manually.
5. **COOL:** Press to activate the cooling function. Press again to turn off.
6. **IONIZER:** Press this button to activate the generation of negative ions. Press again to finish.
7. **TEMPERATURE:** The ambient temperature is displayed on the screen while the equipment is in operation.
8. **TIMER:** Activates the device's auto-off function. It can be selected between 1 and 24 hours. Each press adds 1 hour and is displayed on the screen.
9. **REMOTE CONTROL:** All the functions of the equipment can be controlled equally from the remote control.



## VII. INSTRUCTIONS FOR USE

1. Do not disassemble or attempt to repair the equipment without proper knowledge.
2. To avoid a short circuit, keep the equipment dry.
3. Disconnect from the power to fill water or clean the equipment.
4. Disconnect from power when the equipment is not in use.
5. Do not insert any object through the grid when the equipment is in operation.
6. Do not use in flammable environments.
7. Place the equipment in a flat place.
8. Protect the equipment from direct sunlight.
9. Maintain the water level between the MIN and MAX marks.
10. After filling the tank, try not to move the equipment to avoid spilling the water. If you need to move it, do it carefully.
11. Never lay down the equipment, especially if it has water inside it. If the equipment accidentally overturns, disconnect immediately from the power supply and dry the equipment completely before using it again.
12. Do not place any object on the equipment or cover the air outlet.
13. Disconnect the equipment to clean it. Do not use corrosive products for cleaning. A cloth moistened with water is enough to keep the equipment clean.
14. Keep air inlets and outlets away from curtains or walls.
15. Do not hit or shake the equipment. If this happens it will stop automatically.
16. After some time of use it is possible that the water in the tank is dirty and it is recommended to empty this dirty water and clean the tank.
17. After using the equipment in cold mode it is recommended to have it running in ventilation mode for a few minutes to dry the water filters. With this action a longer useful life of the filters is guaranteed and odors will not be generated.
18. Do not use the equipment in case of a malfunction. Contact the technical service as soon as possible.



19. Do not use the equipment in humid environments, such as swimming pools or bathrooms.

20. If the connection cable accidentally breaks, do not repair it. Buy a new one at your point of sale or technical service.

## VIII. MAINTENANCE AND CLEANING

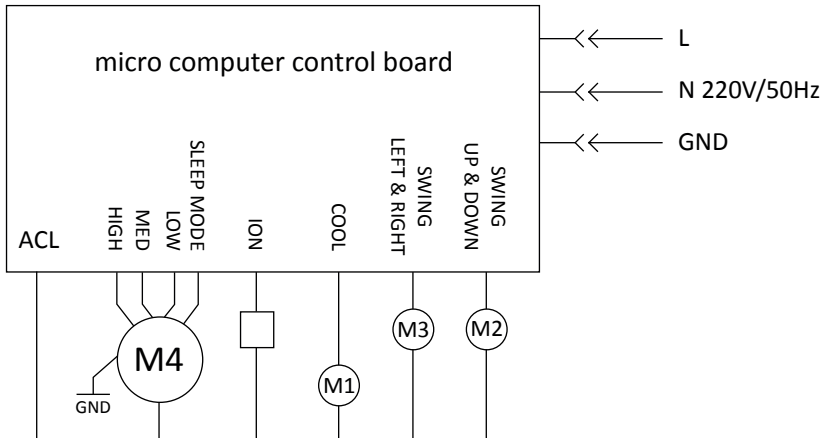
### **Cleaning the water tank:**

- Disconnect from the power supply.
- Remove the water tank.
- Clean the tank with clean water.
- Re-insert the tank in the device.
- It is recommended to clean the tank every two weeks.

### **Cleaning of water distributors:**

- Disconnect from the power supply.
- Remove the screw from the back and remove the prefilter.
- Remove the cooling filter and the rear water distributor.
- Clean the holes of the water distributor.
- Clean the filter with a soft brush.
- Put the filter back in its position.

## IX. ELECTRIC DIAGRAM



## X. PROBLEM SOLVING

Sometimes some problems that may arise do not indicate that the equipment has been damaged. Check these instructions before contacting the technical service.

PROBLEM	POSSIBLE CAUSE	SOLUTION
The equipment does not work	The connection cable is not connected properly.	Confirm that the cable is properly connected, both on the equipment and on the wall.
	The ON / OFF button has not been pressed.	Press ON / OFF after connecting the equipment.
The equipment does not cool	There is no water in the tank.	Fill the deposit.
	The water pump is blocked.	Clean the water tank.
	The prefilter is blocked by dirt.	Clean the prefilter.

## XI. WARRANTY

This equipment is guaranteed against any manufacturing defect for two years after its purchase. keep the purchase invoice.

In case of malfunction contact the technical service through the email address [sat@mconfort.com](mailto:sat@mconfort.com).

Problems arising from lack of maintenance or improper use of the equipment are not covered by the guarantee.

This seal indicates that this product should not be disposed of together with other household waste in the EU. In order to prevent environmental damage or health problems due to poor disposal, recycle it responsibly. To return your used equipment, contact whoever sold the equipment. They can take care of him responsibly.

C/ Alcalaten nº 16, Polígono Industrial La Cova.  
Manises, Valencia.  
46940



**M CONFORT**